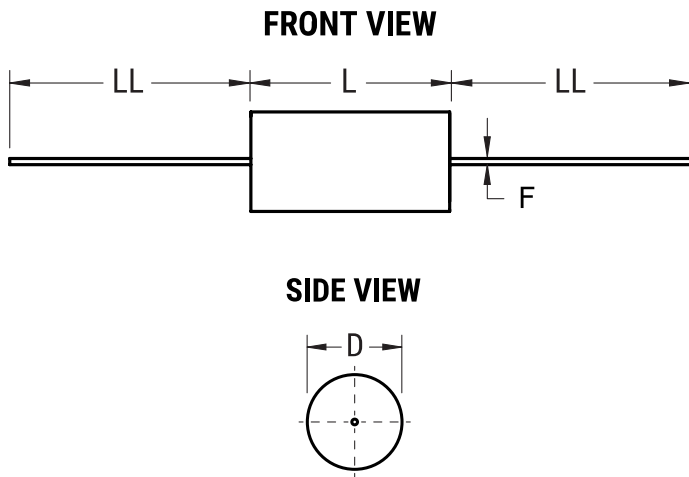


## A72MF06802600J

Aliases (72MF06802600J)

Obsolete

A72, Film, Film/Foil Polypropylene, General Purpose, 680 pF, 5%, 400 VDC, 160 VAC, 85°C



Click [here](#) for the 3D model.

### Dimensions

D	5mm MAX
L	11mm MAX
F	0.5mm +/-0.05mm

### Packaging Specifications

Packaging	T&R
Packaging Quantity	3000

### General Information

Series	A72
Dielectric	Film/Foil Polypropylene
Style	Axial
RoHS	No
Prop 65	<b>WARNING:</b> Cancer and reproductive harm - <a href="https://www.p65warnings.ca.gov/">https://www.p65warnings.ca.gov/</a>
Lead	Wire Leads
Typical Component Weight	0.4 g
Miscellaneous	Above 85C DC And AC Voltage Derating Is 1.25%/C. maxK0 = 10000000.

### Specifications

Capacitance	680 pF
Tolerance	5%
Voltage DC	400 VDC, 300 VDC (105C)
Voltage AC	160 VAC
Temperature Range	-55/+105°C
Rated Temperature	85°C
Dissipation Factor	0.05% 10kHz, 0.1% 100kHz
Insulation Resistance	100 GOhms
Max dV/dt	13,000 V/us
Inductance	11 nH

Statements of suitability for certain applications are based on our knowledge of typical operating conditions for such applications, but are not intended to constitute - and we specifically disclaim - any warranty concerning suitability for a specific customer application or use. This Information is intended for use only by customers who have the requisite experience and capability to determine the correct products for their application. Any technical advice inferred from this Information or otherwise provided by us with reference to the use of our products is given gratis, and we assume no obligation or liability for the advice given or results obtained.