

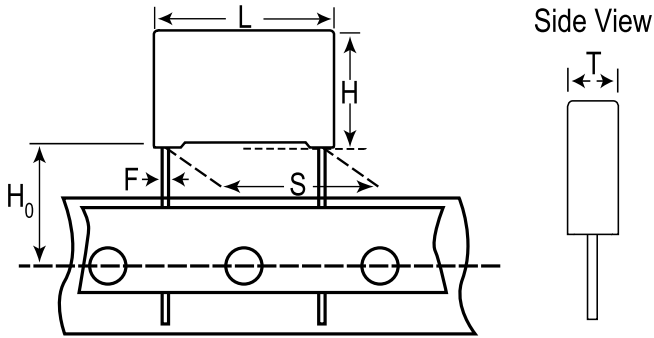
## MMK7.5472K400K00L16.5TR18

Aliases (F601KE472K400L, MMK7,5472K400K00L16,5TR18)

Obsolete

Recommended Replacement Series R60

MMK/F601, Film, Metallized Polyester, General Purpose, 4,700 pF, 10%, 400 VDC, 85°C, 7.5 mm



Click [here](#) for the 3D model.

### General Information

|                          |  |
|--------------------------|--|
| Series                   | MMK/F601   |
| Dielectric               | Metallized Polyester   |
| Style                    | Radial   |
| Features                 | DC Multipurpose Applications   |
| RoHS                     | Yes  |
| Termination              | Tinned Wire  |
| Lead                     | Wire Leads   |
| Typical Component Weight | 0.305 g  |
| Notes                    | *Obsolete. Please check possible alternative parts in R82, RSB (pitch 5mm), R66 (pitch 7.5mm) and R60 (pitch 10-37.5mm). |

### Dimensions

|    |                   |
|----|-------------------|
| L  | 10mm MAX          |
| H  | 6mm MAX           |
| T  | 2.5mm MAX         |
| S  | 7.5mm +0.6/-0.1mm |
| H0 | 16mm NOM          |
| F  | 0.6mm NOM         |

### Specifications

|                       |                                  |
|-----------------------|----------------------------------|
| Capacitance           | 4,700 pF                         |
| Tolerance             | 10%                              |
| Voltage DC            | 400 VDC, 310 VDC (100C)          |
| Voltage AC            | 200 VAC                          |
| Temperature Range     | -55/+100°C                       |
| Rated Temperature     | 85°C                             |
| Dissipation Factor    | 0.8% 1kHz, 1.5% 10kHz, 3% 100kHz |
| Insulation Resistance | 30 GOhms                         |
| Max dV/dt             | 40 V/us                          |
| Inductance            | 6 nH                             |

### Packaging Specifications

|                    |      |
|--------------------|------|
| Packaging          | T&R  |
| Packaging Quantity | 2500 |

Statements of suitability for certain applications are based on our knowledge of typical operating conditions for such applications, but are not intended to constitute - and we specifically disclaim - any warranty concerning suitability for a specific customer application or use. This Information is intended for use only by customers who have the requisite experience and capability to determine the correct products for their application. Any technical advice inferred from this Information or otherwise provided by us with reference to the use of our products is given gratis, and we assume no obligation or liability for the advice given or results obtained.