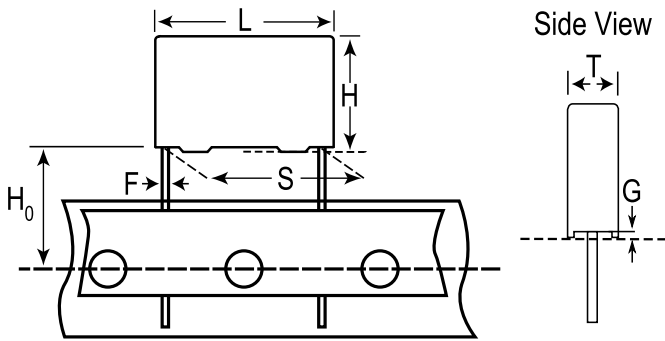


F611DM564K630L

Obsolete

F611, Film, Metallized Polyester, General Purpose, 0.56 uF, 10%, 630 VDC, 85°C, 22.5 mm



Click [here](#) for the 3D model.

General Information

Series	F611
Dielectric	Metallized Polyester
Style	Radial
Features	MKT (Wound), DC Multipurpose Applications
RoHS	Yes
Termination	Tinned Wire
Lead	Wire Leads
Miscellaneous	The Rated Voltage Decreases 1.25%/C Between +85C And +105C (For +125C, Please Consult KEMET). ClimCat: 55/105/56.

Dimensions

L	26mm -0.5mm
H	18.5mm -0.5mm
T	9mm -0.5mm
S	22.5mm +/-0.4mm
H ₀	18.5mm +/-0.5mm
F	0.8mm +/-0.05mm
G	0.5mm NOM

Packaging Specifications

Packaging	T&R
Packaging Quantity	200

Specifications

Capacitance	0.56 uF
Tolerance	10%
Voltage DC	630 VDC, 472.5 VDC (105C)
Voltage AC	220 VAC
Temperature Range	-55/+105°C
Rated Temperature	85°C
Dissipation Factor	0.8% 1kHz, 1.5% 10kHz
Insulation Resistance	17.857 GOhms
Max dV/dt	12 V/us
Inductance	6 nH

Statements of suitability for certain applications are based on our knowledge of typical operating conditions for such applications, but are not intended to constitute - and we specifically disclaim - any warranty concerning suitability for a specific customer application or use. This Information is intended for use only by customers who have the requisite experience and capability to determine the correct products for their application. Any technical advice inferred from this Information or otherwise provided by us with reference to the use of our products is given gratis, and we assume no obligation or liability for the advice given or results obtained.