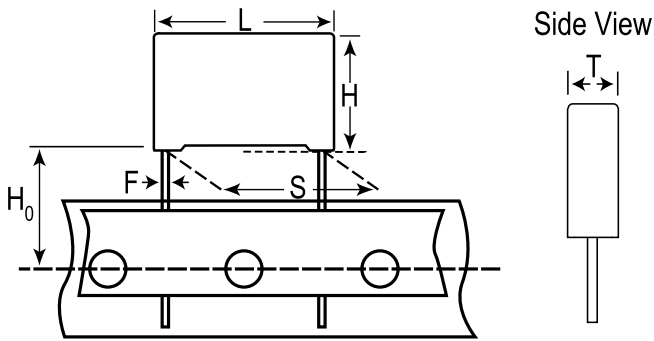


PHE841EB5680MR17T0

Aliases (F841BQ683M330L, PHE841EB5680MB11R17T0)

Not for New Design

PHE841/F841, Film, Metallized Polypropylene, Safety, 0.068 uF, 20%, 1,000 VDC, 330 VAC (X1), 100°C, 15 mm



Click [here](#) for the 3D model.

General Information

Series	PHE841/F841
Dielectric	Metallized Polypropylene
Style	Radial
Features	EMI Safety
RoHS	Yes
Termination	Tinned Wire
Lead	Wire Leads
Safety Class	X1
Qualifications	ENEC, UL, cUL
Typical Component Weight	3.014 g

Dimensions

L	18mm -0.5mm
H	16mm -0.5mm
T	8.5mm -0.5mm
S	15mm +/-0.4mm
H0	17mm NOM
F	0.8mm +/-0.05mm

Packaging Specifications

Packaging	T&R
Packaging Quantity	400

Specifications

Capacitance	0.068 uF
Tolerance	20%
Voltage DC	1000 VDC
Voltage AC	330 VAC (X1)
Temperature Range	-40/+100°C
Rated Temperature	100°C
Dissipation Factor	0.1% 1kHz, 0.2% 10kHz, 0.6% 100kHz
Insulation Resistance	30 GOhms
Max dV/dt	100 V/us

Statements of suitability for certain applications are based on our knowledge of typical operating conditions for such applications, but are not intended to constitute - and we specifically disclaim - any warranty concerning suitability for a specific customer application or use. This Information is intended for use only by customers who have the requisite experience and capability to determine the correct products for their application. Any technical advice inferred from this Information or otherwise provided by us with reference to the use of our products is given gratis, and we assume no obligation or liability for the advice given or results obtained.