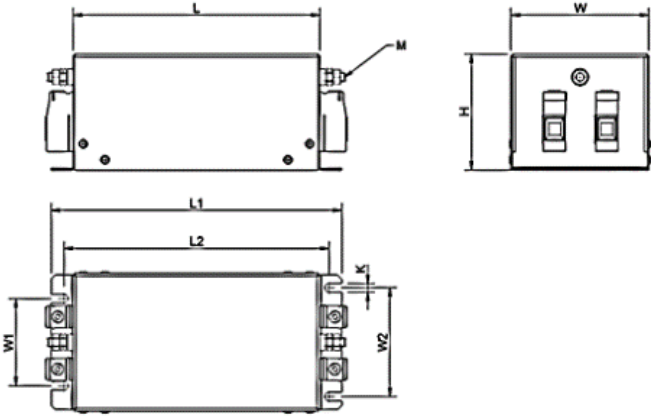


## FLLE2050APVT5

Aliases (LLE2050APVT5)

EMI Filters, KEMET, FLLE2-PV, Chassis Mount, Noise Suppression, 170x95x80mm



Click [here](#) for the 3D model.

### General Information

Series	FLLE2-PV
Style	Chassis Mount
Description	EMI Filter, With Y Capacitor
Features	Single Phase, Photovoltaic Applications
Phase	Single-phase
RoHS	Yes
Qualifications	IEC/EN 60939, UL 1283
Lead	Threaded Studs M6
Terminal Type	Threaded Studs M6

### Dimensions

L	170mm NOM
W	95mm NOM
H	80mm NOM
L1	200mm NOM
L2	183mm NOM
W1	60mm NOM
W2	75mm NOM
K	6.5mm NOM
M (Earth)	Threaded Studs M6
Lead	Threaded Studs M6

### Specifications

Voltage DC	1200 VDC
Rated Current	50 A (50°C)
Ripple Current	50 A (50°C)
Rated Temperature	55°C
Temperature Range	-40/+100°C
Climate Category	40/100/21
Test Voltage DC (P to P)	1300 VDC
Test Voltage DC (P to E)	1300 VDC
Max Power Loss	6 W (25°C 50 Hz)

### Packaging Specifications

Packaging	Bulk
Packaging Quantity	1
Typical Component Weight	1,800 g

Statements of suitability for certain applications are based on our knowledge of typical operating conditions for such applications, but are not intended to constitute - and we specifically disclaim - any warranty concerning suitability for a specific customer application or use. This Information is intended for use only by customers who have the requisite experience and capability to determine the correct products for their application. Any technical advice inferred from this Information or otherwise provided by us with reference to the use of our products is given gratis, and we assume no obligation or liability for the advice given or results obtained.