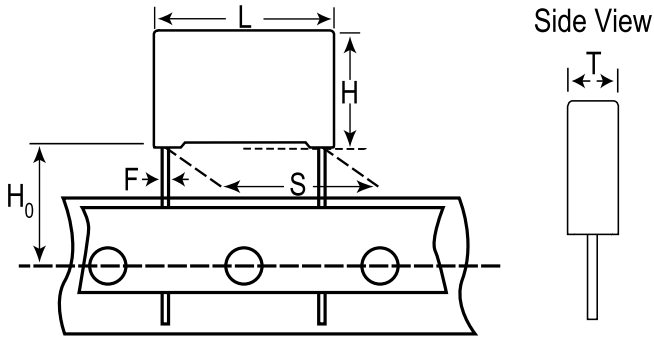


R75MF2680DQ30K

Aliases (75MF2680DQ30K)

R75, Film, Metallized Polypropylene, Automotive Grade, 0.068 uF, 10%, 400 VDC, 85°C, 10 mm



Click [here](#) for the 3D model.

General Information

| | |
|--------------------------|--|
| Series | R75 |
| Dielectric | Metallized Polypropylene |
| Style | Radial |
| Features | Automotive Grade, Pulse |
| RoHS | Yes |
| Termination | Tinned Wire |
| Lead | Wire Leads |
| Qualifications | AEC-Q200 |
| Typical Component Weight | 1.433 g |
| Miscellaneous | Above 85C DC And AC Voltage Derating Is 1.25%/C. |

Specifications

| | |
|-----------------------|--|
| Capacitance | 0.068 uF |
| Tolerance | 10% |
| Voltage DC | 400 VDC |
| Voltage AC | 220 VAC |
| Temperature Range | -55/+105°C |
| Rated Temperature | 85°C |
| Dissipation Factor | 0.04% 1kHz, 0.06% 10kHz |
| Insulation Resistance | 100 GOhms |
| Max dV/dt | 1,300 V/us |
| ESR | 23.4 mOhms (100kHz) |
| Ripple Current | 3.66 Amps (100kHz 85C), 88 Amps (Peak) |
| Inductance | 9 nH |

Dimensions

| | |
|----|------------------|
| L | 13mm +0.2/-0.5mm |
| H | 12mm +0.1/-0.5mm |
| T | 6mm +0.2/-0.5mm |
| S | 10mm +/-0.4mm |
| H0 | 18.5mm +/-0.5mm |
| F | 0.6mm +/-0.05mm |

Packaging Specifications

| | |
|--------------------|-------------------------|
| Packaging | Ammo, 360x340x59mm, Box |
| Packaging Quantity | 680 |

Statements of suitability for certain applications are based on our knowledge of typical operating conditions for such applications, but are not intended to constitute - and we specifically disclaim - any warranty concerning suitability for a specific customer application or use. This Information is intended for use only by customers who have the requisite experience and capability to determine the correct products for their application. Any technical advice inferred from this Information or otherwise provided by us with reference to the use of our products is given gratis, and we assume no obligation or liability for the advice given or results obtained.