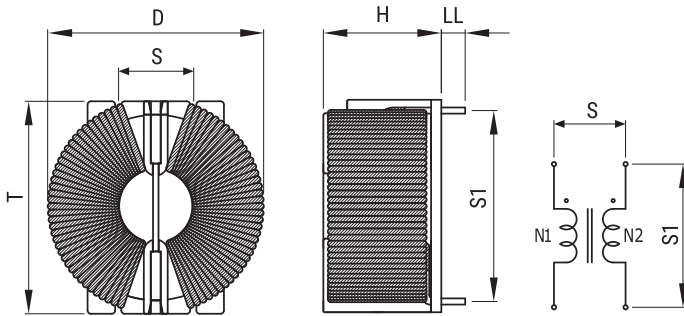


SC-05-700JH

Aliases (UALSC05700JH00)

Obsolete

Common Mode Chokes - Power, KEMET, SC-JH, Through-Hole, Common Mode, 7,000 uH



Click [here](#) for the 3D model.

General Information

Series	SC-JH
Style	Through-Hole
RoHS	Yes
Notes	Lead Spacing (S/S1) Are For Reference Only.
Miscellaneous	Temperature Rise Maximum: 75 K.
Core	Mn-Zn Ferrite

Dimensions

D	34mm MAX
T	33mm MAX
H	18mm MAX
LL	3.5mm +/-1mm
S	11mm NOM
S1	28mm NOM
Wire Size	0.9mm

Packaging Specifications

Packaging	Tray
Packaging Quantity	180
Typical Component Weight	29.7 g

Specifications

Voltage AC	250 VAC
Inductance	7 mH
Rated Current	5 A
Temperature Range	-40/+120°C
DC Resistance	55 mOhms

Statements of suitability for certain applications are based on our knowledge of typical operating conditions for such applications, but are not intended to constitute - and we specifically disclaim - any warranty concerning suitability for a specific customer application or use. This Information is intended for use only by customers who have the requisite experience and capability to determine the correct products for their application. Any technical advice inferred from this Information or otherwise provided by us with reference to the use of our products is given gratis, and we assume no obligation or liability for the advice given or results obtained.