

# Power Inductor



## BPDL Series



### Overview

Power inductors are passive electronic components used in various circuits to store energy in a magnetic field when electrical current flows through them. They are critical in filtering, energy storage, and noise suppression in power electronic systems. They are designed to handle higher currents and are optimized for minimal power loss and thermal efficiency.

### Benefits

1. Ferrite SMD Shielded Type
2. Various package size and wide inductance range

### Applications

1. AP Routers, STBs
2. LCD TVs and monitors
3. Game consoles
4. LED lightings
5. DC/DC converters

### Product Information

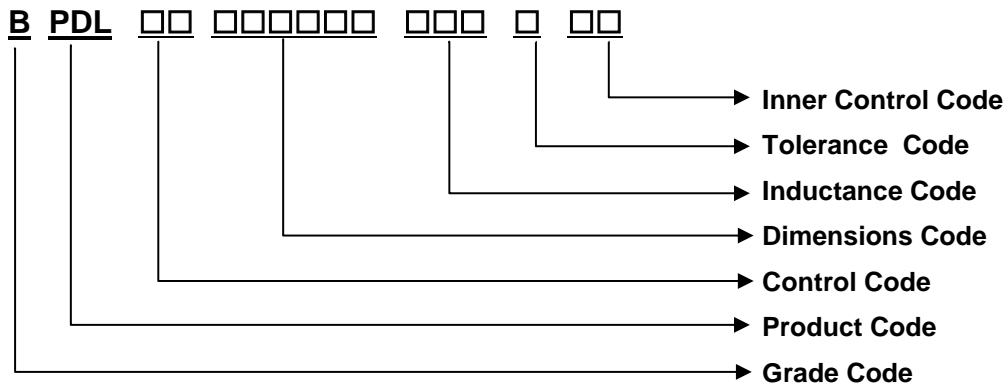
Series	L (mm)	W(mm)	T (mm)	Inductance (μH)
BPDL	3.0	3.0	1.2	1.2 ~ 560
	3.0	3.0	2.0	
	3.8	3.8	1.8	



## BPDL00040418 Series Specification

**1 Scope:** This specification applies to the Pb Free high current type SMD inductors

**2 Part Numbering:**



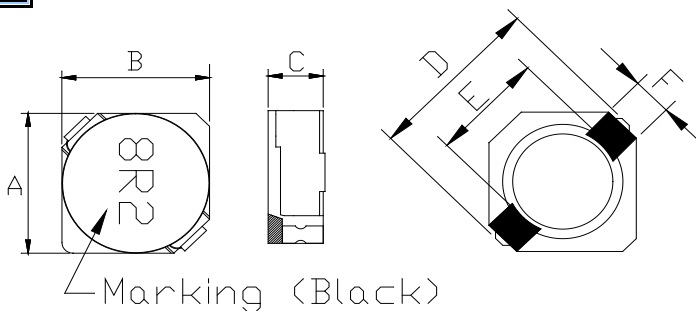
**3 Rating:**

Operating Temperature range:  $-40^{\circ}\text{C} \sim +125^{\circ}\text{C}$  (Including self temp. rise)  
 Storage Temperature: (on tape & reel):  $-20^{\circ}\text{C}$  to  $+40^{\circ}\text{C}$ ; 75% RH max.

**4 Standard Testing Condition**

	Unless otherwise specified	In case of doubt
Temperature	Ordinary Temperature( $15$ to $35^{\circ}\text{C}$ )	$20$ to $30^{\circ}\text{C}$
Humidity	Ordinary Humidity( $25$ to $85\%$ RH)	$50$ to $80\%$ RH

**5 Configuration and Dimensions:**



A:	$3.80 \pm 0.2$	mm
B:	$3.80 \pm 0.2$	mm
C:	1.80 Max.	mm
D:	$5.40$ Max.	mm (1R2~4R7)
	$5.20$ Max.	mm (5R6~561)
E:	2.80 Typ.	mm
F:	1.10 Typ.	mm

Net Weight (grms)

SIZE CODE	Net Weight (grms)
040418	0.083 (Typ.)

## BPDFL00040418 Series Specification

### 6 Electrical Characteristics:

Part No.	Inductance L( $\mu$ H)	Test Freq.	Resistance RDC( $\Omega$ ) Max.	Rated DC Current Isat(A)	Irms(A)	Tolerance	Marking
BPDFL000404181R2□00	1.2	100kHz/0.25V	33m	1.50	3.00	T	1R2
BPDFL000404183R3□00	3.3	100kHz/0.25V	66m	0.80	2.00	T	3R3
BPDFL000404183R9□00	3.9	100kHz/0.25V	81m	0.75	1.75	T	3R9
BPDFL000404184R7□00	4.7	100kHz/0.25V	91m	0.68	1.72	M,T	4R7
BPDFL000404185R6□00	5.6	100kHz/0.25V	0.102	0.62	1.64	T	5R6
BPDFL000404186R8□00	6.8	100kHz/0.25V	0.130	0.58	1.30	T	6R8
BPDFL000404188R2□00	8.2	100kHz/0.25V	0.140	0.51	1.28	T	8R2
BPDFL0004041810□00	10	100kHz/0.25V	0.190	0.46	1.07	M,T	100
BPDFL00040418120□00	12	100kHz/0.25V	0.205	0.42	0.98	M,T	120
BPDFL00040418150□00	15	100kHz/0.25V	0.272	0.38	0.87	M,T	150
BPDFL00040418180□00	18	100kHz/0.25V	0.327	0.34	0.76	M,T	180
BPDFL00040418220□00	22	100kHz/0.25V	0.356	0.31	0.66	M,T	220
BPDFL00040418270□00	27	100kHz/0.25V	0.470	0.28	0.60	M,T	270
BPDFL00040418330□00	33	100kHz/0.25V	0.560	0.26	0.55	M,T	330
BPDFL00040418390□00	39	100kHz/0.25V	0.700	0.24	0.47	M,T	390
BPDFL00040418470□00	47	100kHz/0.25V	0.775	0.21	0.45	M,T	470
BPDFL00040418561□00	560	100kHz/0.25V	13.0	0.07	0.13	M,T	561

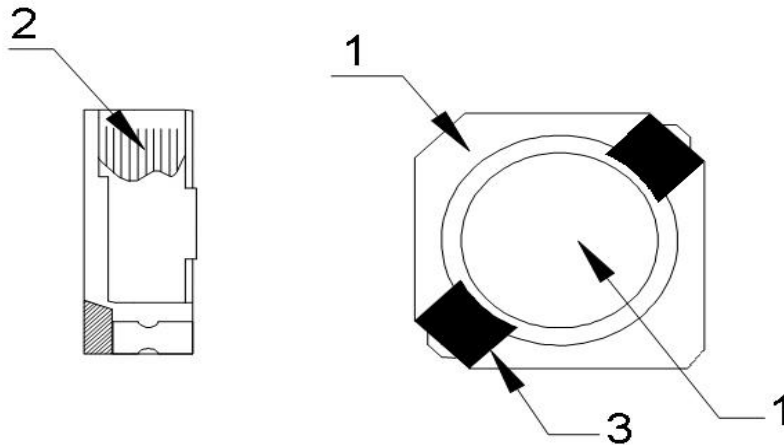
**NOTE: tolerance M=±20% , T=±30%**

1.Isat : Based on inductance change ( $\Delta$ L/Lo : drop 35% Max.) @ambient Temperature : 25°C

2.Irms : Based on temperature rise ( $\Delta$ T : 40°C Typ.)

## BPDL00040418 Series Specification

### 6.1 Construction:



### 6.2 Material List:

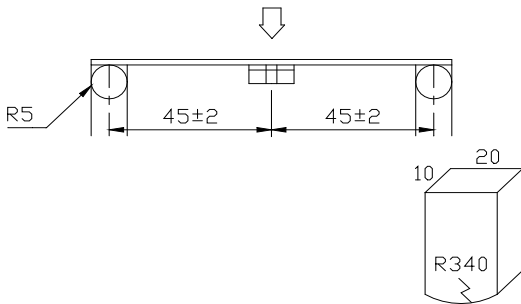
NO.	ITEM	DESCRIPTION & TYPE
1	Core	Ferrite
2	Wire	Magnet Wire
3	Terminal	Terminal Copper

## BPDFL00040418 Series Specification

### ELECTRICAL

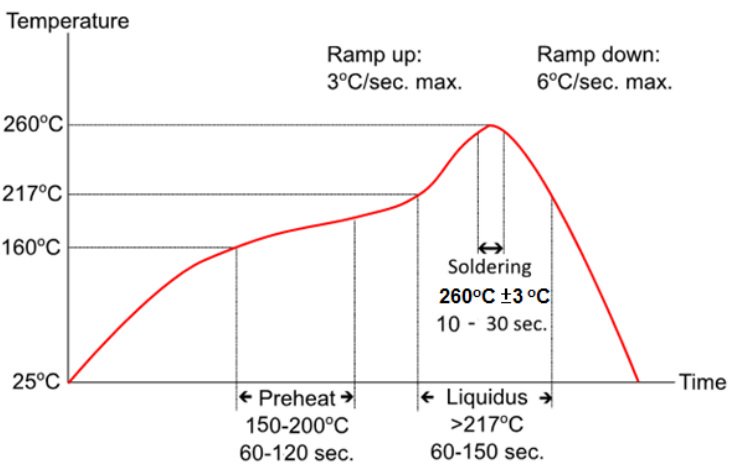
TEST ITEM	SPECIFICATION	TEST DETAILS
Insulation resistance	There shall be no other damage or problems.	DC 100V voltage shall be applied across this sample of top surface and the terminal. The insulation resistance shall be more than $1 \times 10^8 \Omega$ .
Dielectric withstand voltage	There shall be no other damage or problems.	AC 100V voltage shall be applied for 1 minute across the top surface and the terminal of this sample
Temperature characteristics	$\Delta L/L20^\circ\text{C} \leq \pm 10\%$ $0 \sim 2000 \text{ ppm}/^\circ\text{C}$	The test shall be performed after the sample has stabilized in an ambient temperature of $-20$ to $+85^\circ\text{C}$ , and the value calculated based on the value applicable in a normal temperature and normal humidity shall be $\Delta L/L20^\circ\text{C} \leq \pm 10\%$ .

### MECHANICAL

TEST ITEM	SPECIFICATION	TEST DETAILS
Substrate bending	$\Delta L/L_0 \leq \pm 10\%$  There shall be no mechanical damage or electrical damage.	The sample shall be soldered onto the printed circuit board in figure 1 and a load applied until the figure in the arrow direction is made approximately 3mm. (keep time 30 seconds) PCB dimension shall be the page 7/9  F(Pressurization)  <div style="text-align: center;">  <p style="text-align: center;">PRESSURE ROD figure-1</p> </div>

**BPDL00040418 Series Specification**

**MECHANICAL**

TEST ITEM	SPECIFICATION	
Vibration	$\Delta L/L_0 \leq \pm 10\%$  There shall be no mechanical damage.	The sample shall be soldered onto the printed circuit board and when a vibration having an amplitude of 1.52mm and a frequency of from 10 to 55Hz/1 minute repeated should be applied to the 3 directions (X,Y,Z) for 2 hours each. (A total of 6 hours)
Solderability	New solder More than 90%	Flux (rosin, isopropyl alcohol{JIS-K-1522}) shall be coated over the whole of the sample before hard, the sample shall then be preheated for about 2 minutes in a temperature of 130~150°C and after it has been immersed to a depth 0.5mm below for 3±0.2 seconds fully in molten solder M705 with a temperature of 245±5°C.  More than 90% of the electrode sections shall be covered with new solder smoothly when the sample is taken out of the solder bath.
Resistance to Soldering heat (reflow soldering)	There shall be no damage or problems.	<p style="text-align: center;"><b>Temperature profile of reflow soldering</b></p>  <p>The specimen shall be passed through the reflow oven with the condition shown in the above profile for 1 time.                      The specimen shall be stored at standard atmospheric conditions for 1 hour, after which the measurement shall be made.</p>

## BPDL00040418 Series Specification

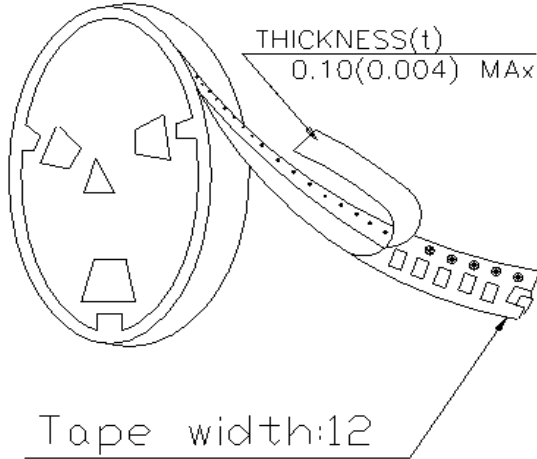
### ENVIRONMENT CHARACTERISTICS

TEST ITEM	SPECIFICATION																
High temperature storage	$\Delta L/Lo \leq \pm 10\%$  There shall be no mechanical damage.	The sample shall be left for 96±4 hours in an atmosphere with a temperature of 125°C and a normal humidity.  Upon completion of the measurement shall be made after the sample has been left in a normal temperature and normal humidity for 1 hour.															
Low temperature storage	$\Delta L/Lo \leq \pm 10\%$  There shall be no mechanical damage.	The sample shall be left for 96±4 hours in an atmosphere with a temperature of -40±2°C.  Upon completion of the test, the measurement shall be made after the sample has been left in a normal temperature and normal humidity for 1 hour.															
Change of temperature	$\Delta L/Lo \leq \pm 10\%$  There shall be no other damage of problems	The sample shall be subject to 5 continuous cycles, such as shown in the table 2 below and then it shall be subjected to standard atmospheric conditions for 1 hour, after which measurement shall be made.  <div style="text-align: center;"> <p>table 2</p> <table border="1"> <thead> <tr> <th></th> <th>Temperature</th> <th>Duration</th> </tr> </thead> <tbody> <tr> <td>1</td> <td>-40±2°C (Thermostat No.1)</td> <td>30 min.</td> </tr> <tr> <td>2</td> <td>Standard atmospheric</td> <td>No.1→No.2</td> </tr> <tr> <td>3</td> <td>125°C (Thermostat No.2)</td> <td>30 min.</td> </tr> <tr> <td>4</td> <td>Standard atmospheric</td> <td>No.2→No.1</td> </tr> </tbody> </table> </div>		Temperature	Duration	1	-40±2°C (Thermostat No.1)	30 min.	2	Standard atmospheric	No.1→No.2	3	125°C (Thermostat No.2)	30 min.	4	Standard atmospheric	No.2→No.1
	Temperature	Duration															
1	-40±2°C (Thermostat No.1)	30 min.															
2	Standard atmospheric	No.1→No.2															
3	125°C (Thermostat No.2)	30 min.															
4	Standard atmospheric	No.2→No.1															
Moisture storage	$\Delta L/Lo \leq \pm 10\%$  There shall be no mechanical damage.	The sample shall be left for 96±4 hours in a temperature of 40±2°C and a humidity(RH) of 90~95%.  Upon completion of the test, the measurement shall be made after the sample has been left in a normal temperature and normal humidity more than 1 hour.															
<b>Test conditions :</b>  The sample shall be reflow soldered onto the printed circuit board in every test.																	

**BPDL00040418 Series Specification**

**7 Packaging:**

**7.1 Packaging -Cover Tape**

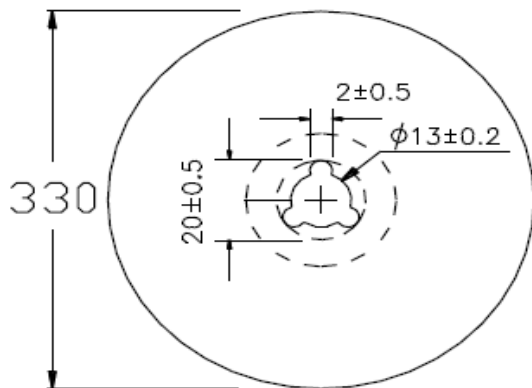


**7.2 Packaging Quantity**

TYPE	PCS/REEL
BPDL00040418	3500

**7.3 Reel Dimensions**

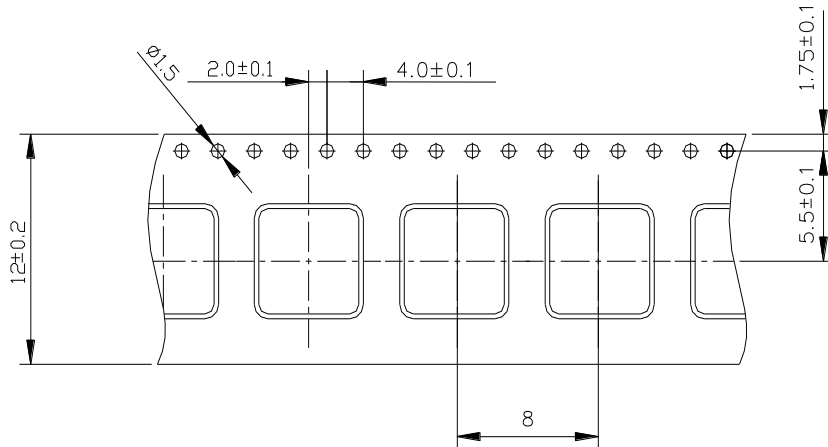
Unit : mm



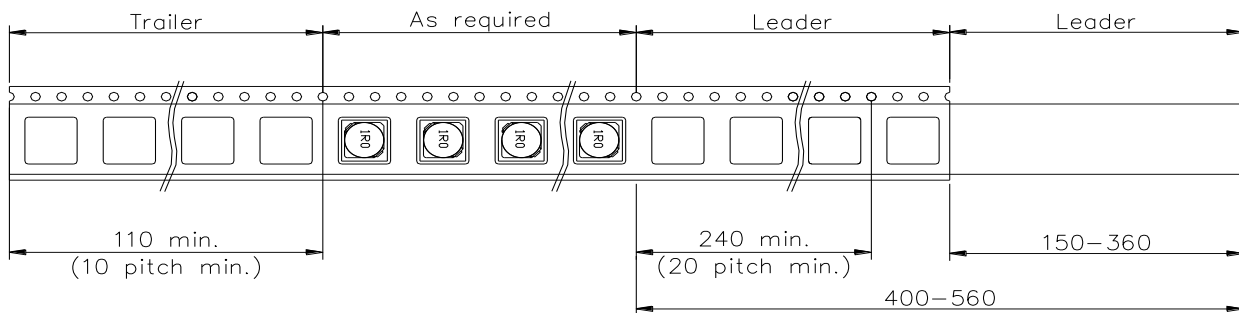
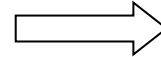
## BPDL00040418 Series Specification

### 7 Packaging:

#### 7.4 Tape Dimensions in mm

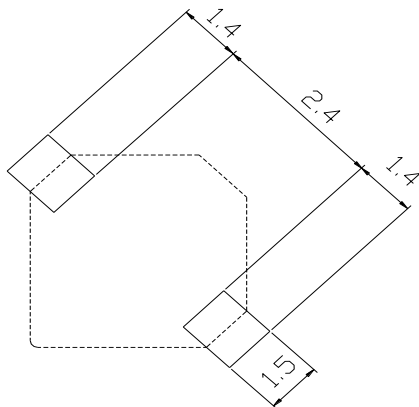


Unreeling  
Direction



### 8 Recommended Land Pattern:

(STANDARD PATTERN) Unit : mm



## **BPDL00040418 Series Specification**

### **9 Note:**

1. Please make sure that your product has been evaluated and confirmed against your specifications when our product is mounted to your product.
2. Do not knock or drop.
3. All the items and parameters in this product specification have been prescribed on the premise that our product is used for the purpose, under the condition and in the environment agreed upon between you and us. You are requested not to use our product deviating from such agreement.
4. Please keep the distance between transformer/coil and other components (refer to the standard IEC 950)
5. The moisture sensitivity level (MSL) of products is classified as level 1.