

- Ⓢ Single Channel or Single Port (Dual channel)
- Ⓢ High Voltage breakdown 10KVac / 60seconds
- Ⓢ Meets IEEE802.3u for 100Base-TX
- Ⓢ Basic Insulation IEC62368-1 @ 1500Vdc  
>11mm Clearance, >15mm Creepage
- Ⓢ Supports IsoSPI for BMS solutions
- Ⓢ Supports 100Base-T1 for Industrial STPE
- Ⓢ Operating Temperature: - 40°C to +85°C

**Electrical Specifications 25°C - Isolation Breakdown 10KVDC / 60Seconds**

Part Number	Open Inductance (μH MIN)	Insertion Loss (dB MAX)			Return Loss (dB MIN)			Crosstalk (TX-RX) (dB MIN)			Common Mode Rejection (dB MIN)		
		100kHz, 0.1Vrms, 8mADC	0.1-30MHz	60-80MHz	100MHz	5MHz	30-60MHz	100MHz	30MHz	60MHz	100MHz	10MHz	60MHz
HXE1001HL*	350	-1.0	-3.0	-4.0	-18	-4.5	-2	-	-	-	-30	-24	-20
HXE1002HL*	350	-1.0	-3.0	-4.0	-18	-4.5	-2	-30	-27	-25	-30	-24	-20

**Electrical Specifications 25°C - Isolation Breakdown 10KVAC / 60Seconds**

Part Number	100kHz, 0.1Vrms, 8mADC	0.1-5MHz	6-20MHz	40MHz	1-4MHz	4-10MHz	20MHz	3MHz	6MHz	20MHz	2MHz	30MHz	100MHz
		HXE1003HL	200	-0.6	-2.0	-3.0	-18	-12	-8	-20	-15	-12	-25

Notes: \* These Parts have been designed to meet BASIC Insulation per IEC62368-1, Working Voltage 1500VDC, Creepage >11mm, Clearance >15mm

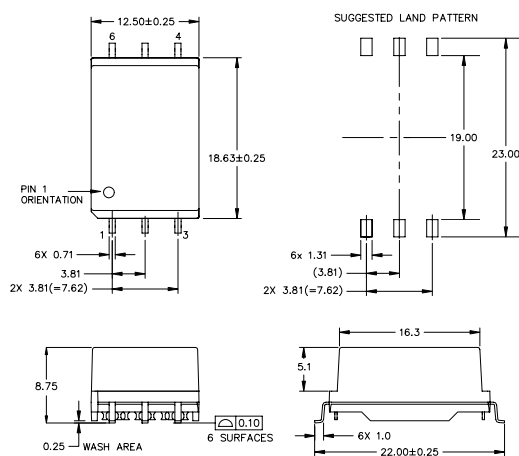
Ordering information: Parts default shipping is to be supplied in Tubes. To order parts in tape and reel please add a "T" on to the end of the Part code. example HXE1001HL becomes HXE1001HLT

HXE1001HL : TUBE: 40pcs Tape and Reel : 250pcs

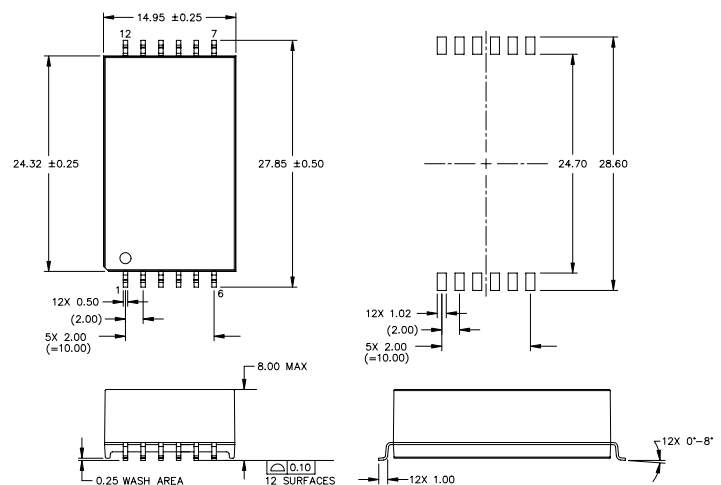
HXE1002HL & HXE1003HL : TUBE: 35pcs Tape and Reel : 250pcs

**Mechanicals**

**HXE1001HL**



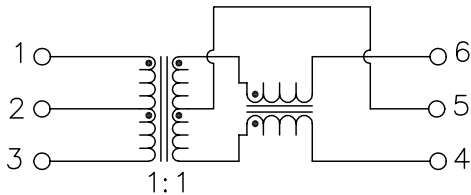
**HXE1002HL, HXE1003HL**



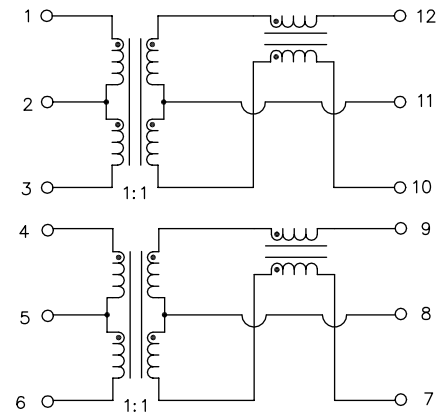
Dimensions: mm  
Unless otherwise specified, all tolerances are ± 0.25

## Schematics

### HXE1001HL

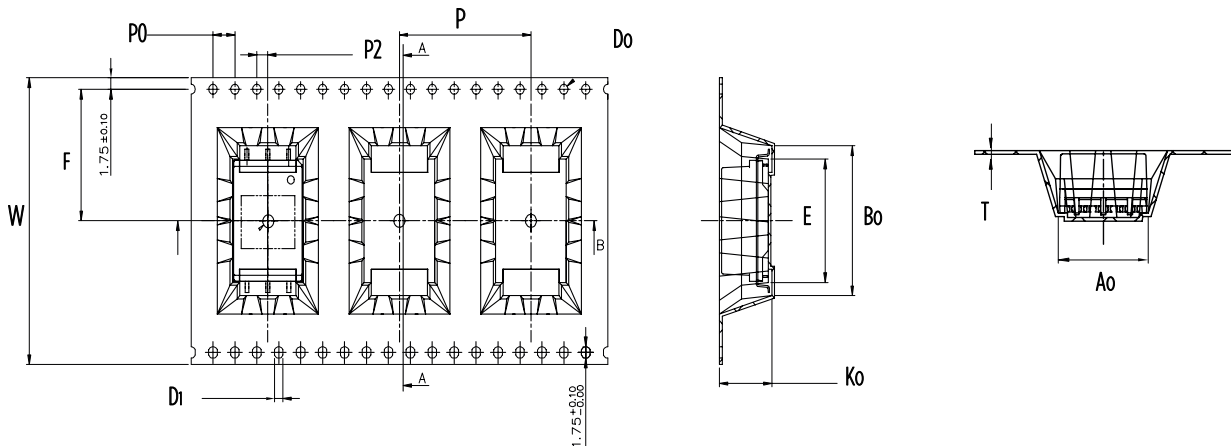


### HXE1002HL, HXE1003HL



## Tape & Reel

### HXE100xHLT



Dim Chart

Item	W	A <sub>0</sub>	B <sub>0</sub>	K <sub>0</sub>	P	F	E	D <sub>0</sub>	D <sub>1</sub>	P <sub>0</sub>	P <sub>2</sub>	T
HXE1001HLT	44.00 ±0.30	12.9 ±0.10	23.00 ±0.10	9.55 ±0.10	24.00 ±0.10	20.2 ±0.10	18.92 ±0.10	1.50 <sup>+0.10</sup> <sub>-0.00</sub>	1.55 <sup>+0.10</sup> <sub>-0.00</sub>	4.00 ±0.10	2.00 ±0.10	0.50 ±0.05
HXE1002HLT HXE1003HLT	44.00 ±0.30	15.05 ±0.10	30.11 ±0.10	8.90 ±0.10	24.00 ±0.10	20.2 ±0.10	24.51 ±0.10	1.50 <sup>+0.10</sup> <sub>-0.00</sub>	1.55 <sup>+0.10</sup> <sub>-0.00</sub>	4.00 ±0.10	2.00 ±0.10	0.50 ±0.05

### For More Information:

Americas - [prodinfo\\_network\\_americas@yageo.com](mailto:prodinfo_network_americas@yageo.com) | Europe - [prodinfo\\_network\\_emea@yageo.com](mailto:prodinfo_network_emea@yageo.com) | Asia - [prodinfo\\_network\\_asia@yageo.com](mailto:prodinfo_network_asia@yageo.com)

Performance warranty of products offered on this data sheet is limited to the parameters specified. Data is subject to change without notice. Other brand and product names mentioned herein may be trademarks or registered trademarks of their respective owners. © Copyright, 2025. Pulse Electronics, Inc. All rights reserved.

YAGEO Corporation and its affiliates do not recommend the use of commercial or automotive grade products for high reliability applications or manned space flight.