



Overview

KEMET's PHV227 is a Surface-Mount hybrid capacitor with outstanding electrical performance. The device has a polarized all-welded design, tinned copper wire leads, and a negative pole connected to the case. The PHV227 winding is housed in a cylindrical aluminum can with a high purity aluminum lid and high-quality rubber gasket. Low ESR is conditioned by a highly conductive polymer (PEDOT/PSS) and an all-welded design. The polymer system creates an electrical pathway between the anodic oxide layer and the cathode through a mechanical separator - paper. The PHV227 winding is impregnated with liquid electrolyte that results to self-healing features of the capacitor. Thanks to its mechanical robustness, the PHV227 is suitable for use in mobile, automotive and aircraft installations with operation up to +125°C. KEMET's automotive grade capacitors meet the demanding Automotive Electronics Council's AEC-Q200 qualification requirements.

Applications

KEMET's PHV227 is a series of high performance Surface-Mount hybrid capacitors. It is designed for automotive applications with extremely high demands.

Benefits

- Surface Mount Device
- AEC-Q200 automotive qualified
- More than 4,000 hours at +125°C
- High temperature capability up to 140°C
- Extremely high ripple current
- Up to 40 Arms, continuous load
- High vibration resistance (without campling)
- Polarized all-welded design
- Self-healing behaviours
- Outstanding electrical performance



Part Number System

PHV227	J	KP	421	0	M	E4
Series Rated	Voltage (VDC)	Size Code	Capacitance Code (μF)	Version	Capacitance Tolerance	Packaging
Hybrid Radial Crown SMD Capacitor	H = 25 J = 35	See Dimension Table	The last two digits represent significant figures. The first digit indicates the total number digits.	0 = Standard	M = -20 +20%	E4 = Tray

Performance Characteristics

Item	Performance Characteristics		
Capacitance Range	1,400 – 5,200 μF		
Rated Voltage	25 – 35 VDC		
Operating Temperature	-40 to +125°C		
Capacitance Tolerance	-20/+20%, at 100 Hz/+20°C		
Operational Lifetime	Rated Voltage and I_{RAC} at T_{case} 90°C/100kHz (hours)	Rated Voltage and I_{RAC} at T_{case} 105°C/100kHz (hours)	Rated Voltage and I_{RAC} at T_{case} 125°C/100kHz (hours)
	≥ 3,000		≥ 2,000
End of Life Requirement	Δ C/C < ±30%, ESR < 3 x initial ESR value, IL < initial specified limit		
Surge Voltage	1.15 x V_R		
High Temperature Storage	After storage for 1,000 hours at +125°C with no voltage applied and then being stabilized at +20°C, capacitors shall meet the limits specified in Endurance.		
Leakage Current	$I = 0.005 CV$ (μA)		
	C = rated capacitance (μF), V = rated voltage (VDC). Voltage applied for 5 minutes at +20°C.		
Vibration Test Specifications	Procedure		Requirements
	1.5 mm displacement amplitude or 20 g maximum acceleration. Vibration applied for three 22-hour sessions at 10 – 2,000 Hz (without clamping).		No leakage of electrolyte or other visible damage. Deviations in capacitance from initial measurements must not exceed: Δ C/C < 5%
Standards	AEC-Q200; IEC 60384-4 long life grade 40/125/56		

Compensation Factor of Ripple Current (RC) vs. Frequency

Frequency	0.1 kHz	0.2 kHz	1 kHz	5 kHz	10 kHz	20 kHz	40 kHz	100 kHz
Coefficient	0.20	0.30	0.55	0.85	0.90	0.95	1	1

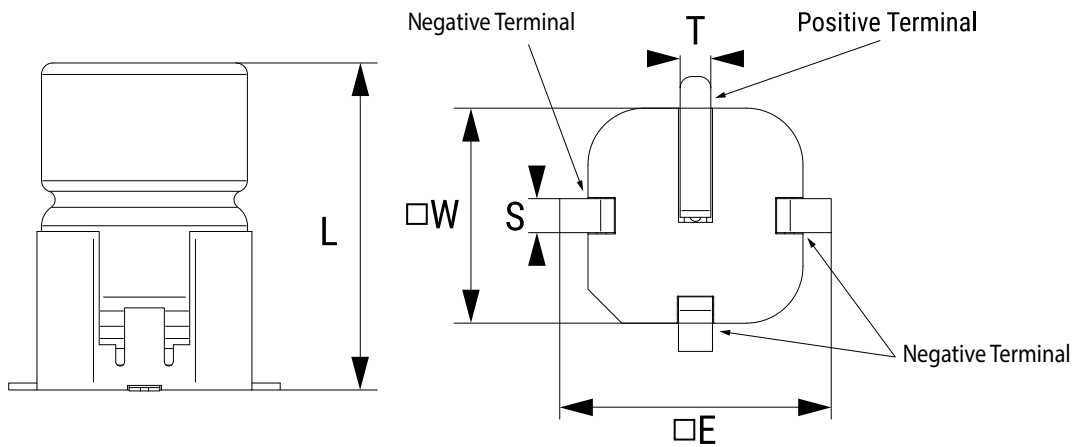
Test Method & Performance

Conditions	Endurance Life Test
Temperature	+125°C
Test Duration	2,000 hours
Voltage	The sum of DC voltage must not exceed the rated voltage of the capacitor
Performance	The following specifications will be satisfied when the capacitor is tested at +20°C:
Capacitance Change	Within 15% of initial value (within 10% at 1,000 hour test)
Equivalent Series Resistance	≤ 3x specified limit (ESR measured at 100 kHz +20°C)
Leakage Current	Does not exceed leakage current limit
Resistance to Soldering Heat	Measurement for solder temperature profile at capacitor top and terminal.
Capacitance Change	Within 10% of initial value
Dissipation Factor	Does not exceed 150% of the specified value
Equivalent Series Resistance	Does not exceed 150% of the specified value
Leakage Current	Does not exceed leakage current limit

Ordering Options Table

Packaging Kind	Lead and Packaging Code
Standard Packaging Option	
Tray	E4

Dimensions – Millimeters



Size Code	Dimensions in mm					Approximate Weight Grams
	W	L	E	S	T	
	±0.5	±1,0	±0,5	±0.3	±0.3	
KL	17.0	28.9	22.5	3.0	2.5	10
KP	17.0	36.9	22.5	3.0	2.5	13
LL	19.0	28.9	24.5	3.0	2.5	13
LP	19.0	36.9	24.5	3.0	2.5	16

Note: Terminal coplanarity ≤ 200 μm

Shelf Life

The capacitance, ESR and impedance of a capacitor will not change significantly after extended storage periods at temperatures up to 40°C, however the leakage current will very slowly increase. After storage for 10 years at +40°C or 1000 hours at maximum rated temperature with no voltage applied and then being stabilized at +20 °C, capacitors shall meet the limits specified in Endurance.

Environmental Compliance



All Part Numbers in this datasheet are Reach and RoHS compliant and Halogen-Free.

As an environmentally conscious company, KEMET is working continuously with improvements concerning the environmental effects of both our capacitors and their production.

In Europe (RoHS Directive) and in some other geographical areas such as China, legislation has been put in place to prevent the use of some hazardous materials, such as lead (Pb), in electronic equipment. All products in this catalog are produced to help our customers' obligations to guarantee their products and fulfill these legislative requirements. The only material of concern in our products has been lead (Pb), which has been removed from all designs to fulfill the requirement of containing less than 0.1% of lead in any homogeneous material. KEMET will closely follow any changes in legislation world wide and makes any necessary changes in its products, whenever needed.

Some customer segments such as medical, military, and automotive electronics may still require the use of lead in electrode coatings. To clarify the situation and distinguish products from each other, a special symbol is used on the packaging labels for RoHS compatible capacitors.

Due to customer requirements, there may appear additional markings such as LF = Lead-free or LFW = Lead-free wires on the label.

Table 1 – Ratings & Part Number Reference

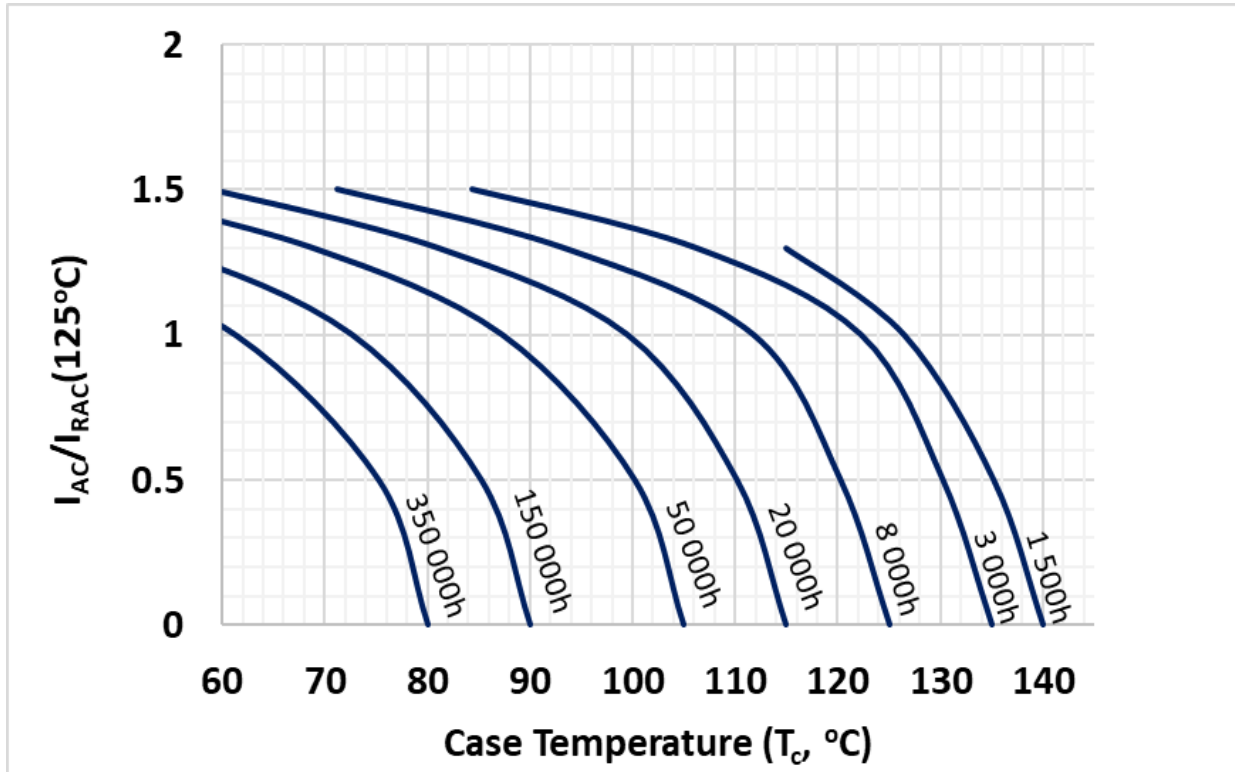
Rated Voltage 125°C	C _R	Size Code	Case Size	I _{RAC} ^a	I _{RAC} ^a	I _{RAC} ^b	ESR (max)	ESR (max)	Part Number
				T _c = 90°C 100 kHz	T _c = 105°C 100 kHz	T _c = 125°C 100 kHz	20°C 100 Hz	-40 to 125°C 100 kHz	
VDC	μF		D x L (mm)	A _{RMS}	A _{RMS}	A _{RMS}	mΩ	mΩ	
25	2,500	KL	17x29	28.1	25.4	19.3	146	9.2	PHV227HKL4250ME4
25	3,600	KP	17x37	28.6	25.8	19.6	105	8.8	PHV227HKP4360ME4
25	3,700	LL	19x29	30.7	27.5	20.9	102	8.3	PHV227HLL4370ME4
25	5,200	LP	19x37	31.2	28	21.1	63	8.0	PHV227HLP4520ME4
35	1,400	KL	17x29	28.1	25.4	19.3	146	9.2	PHV227JKL4140ME4
35	2,100	KP	17x37	28.6	25.8	19.6	105	8.8	PHV227JKP4210ME4
35	2,200	LL	19x29	30.7	27.5	20.9	102	8.3	PHV227JLL4220ME4
35	3,200	LP	19x37	31.2	28.0	21.1	63	8.0	PHV227JLP4320ME4

^a 3,000 hours Capacitor-mounted with low thermal resistance path (heat-sink).

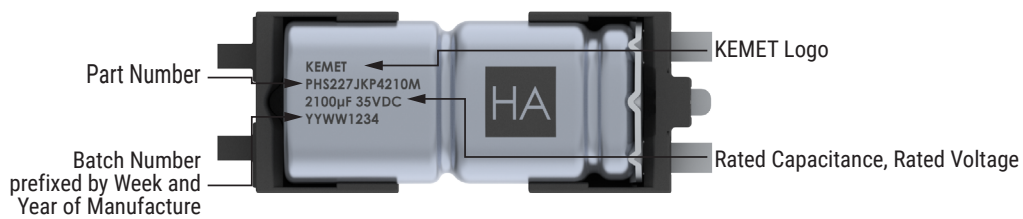
^b 2,000 hours Capacitor-mounted with low thermal resistance path (heat-sink).

Operational Life

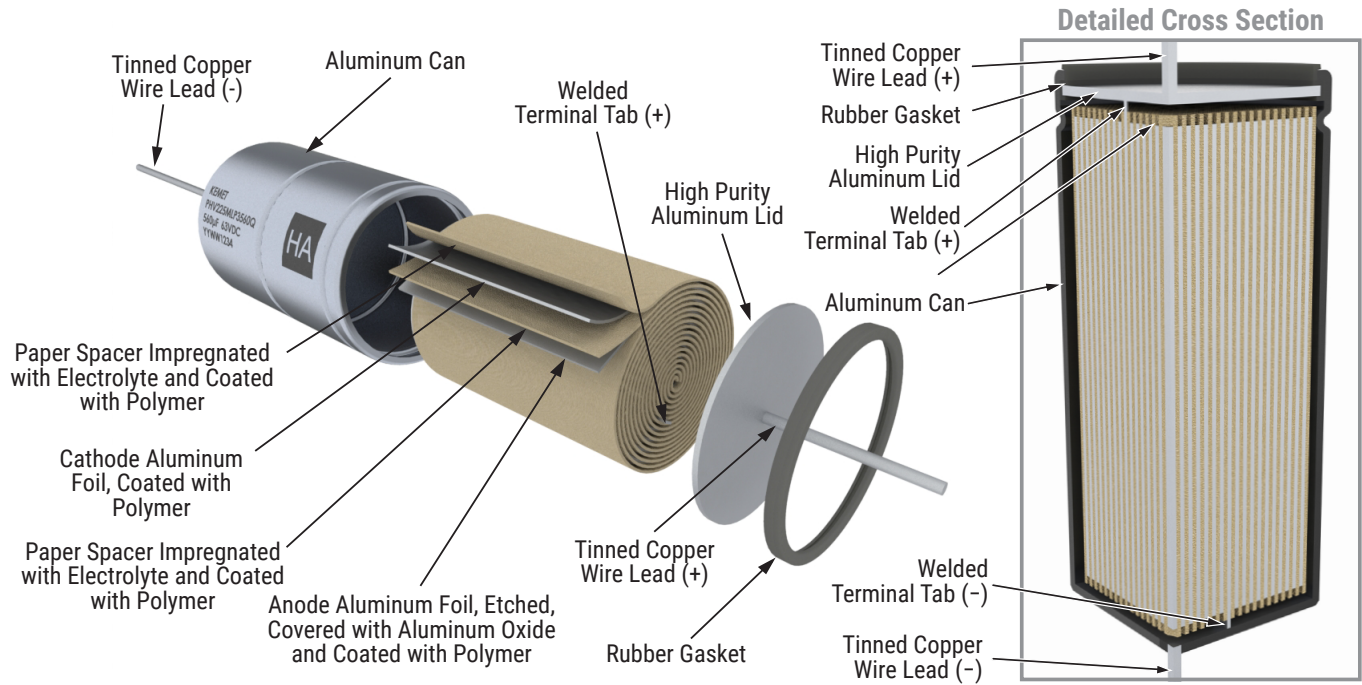
Operational life (L_{op}) at case temperature T_c and ripple current I_{AC} .



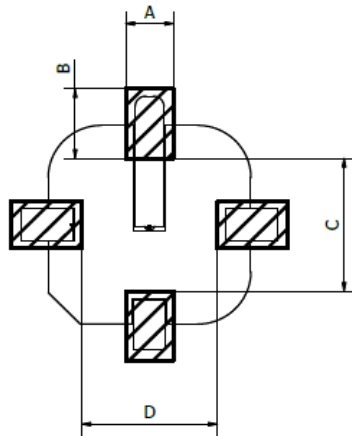
Marking



Construction



Landing Pad – Millimeters



Size Code	A	B	C	D
KL, KP	4.5	6.65	12.7	12.7
LL, LP	4.5	6.65	14.7	14.7
Units in mm				

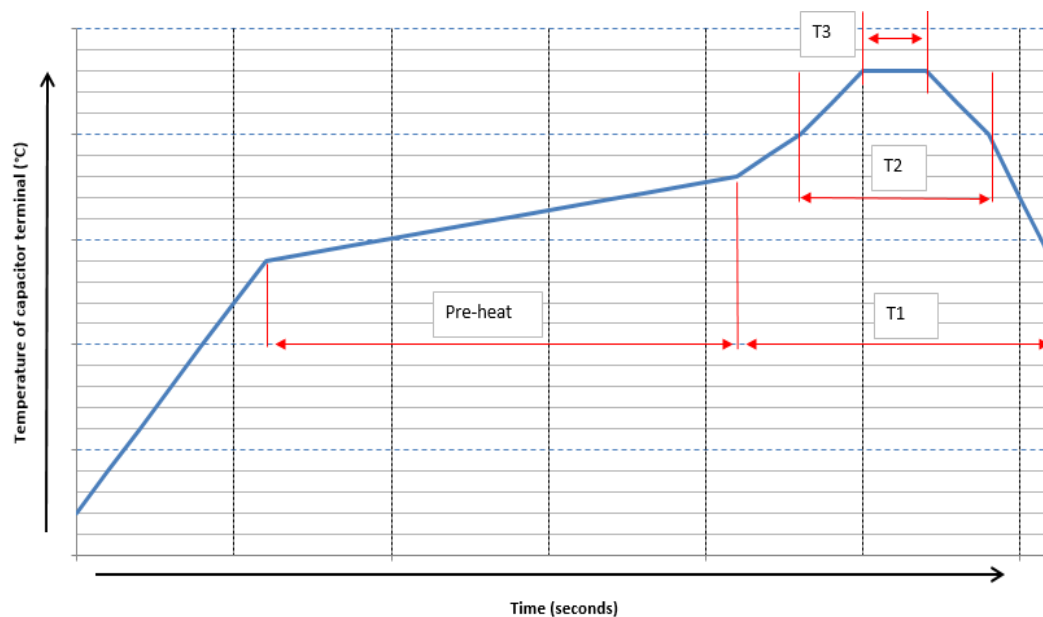
Reflow Soldering

The soldering conditions should be within the specified conditions below:

- Vapor heat transfer systems are not recommended.
- The system should be thermal, such as infra-red radiation or hot blast.
- Observe the soldering conditions as shown below.
- Do not exceed these limits and avoid repeated reflowing.

Time Period	Preheating	T1	T2	T3
Temperature (°C)	150 – 180	≥ 200	≤ 230	≤ 240
Time (seconds)		60 – 180	≤ 40	≤ 20
Reflow can be performed per the above parameters up to 2x				

The soldering conditions should be within the specified conditions below:



Construction Data

The manufacturing process begins with the anode foil being electrochemically etched to increase the surface area and then “formed” to produce the aluminum oxide layer. Both the anode and cathode foils are then interleaved with absorbent paper and wound into a cylinder. During the winding process, aluminum tabs are attached to each foil to provide the electrical contact.

The winding is assembled to the capacitor Al-can and to the Al-lid. The can is filled with electrolyte and the winding is impregnated during a vacuum treatment. The capacitor is sealed. Throughout the process, all materials inside the housing must be maintained at the highest purity and be compatible with the electrolyte. Coating with polymer is applied during manufacturing process to achieve enhanced performance.

Each capacitor is aged and tested before being packed. The purpose of aging is to repair any damage in the oxide layer and thus reduce the leakage current to a very low level. Aging is carried out at elevated temperature and is accomplished by applying voltage to the device while carefully controlling the supply current. The process takes between 2 and 20 hours, depending on voltage rating.

Damage to the oxide layer can occur due to a variety of reasons:

- Slitting of the anode foil after forming
- Attaching the tabs to the anode foil
- Minor mechanical damage caused during winding

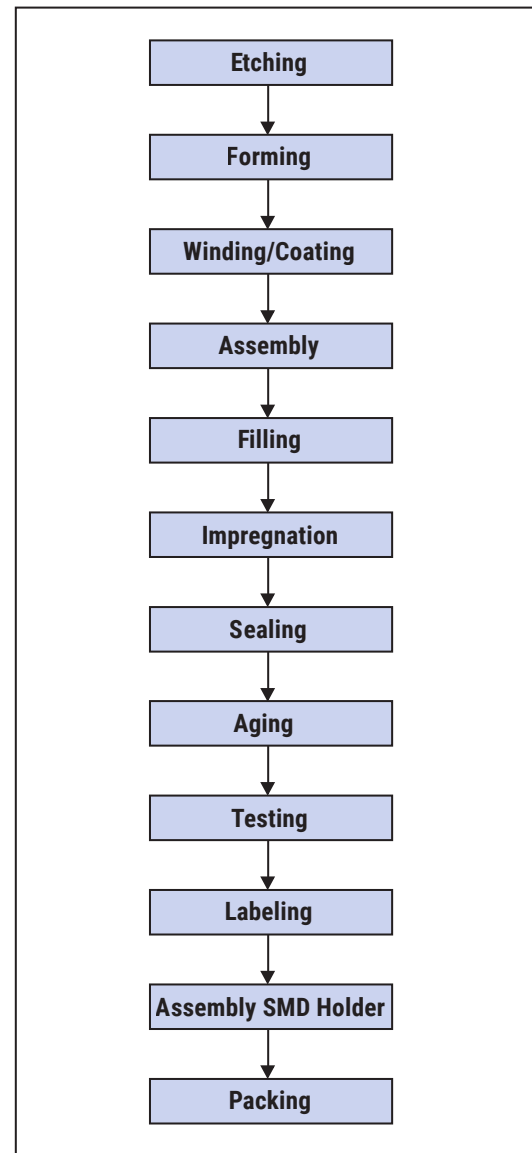
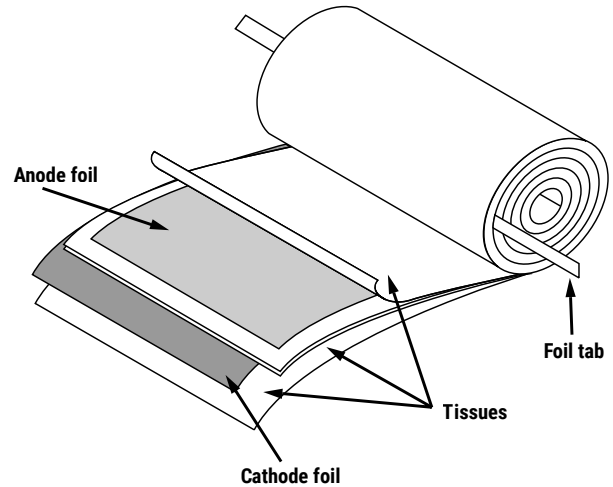
The following tests are applied for each individual capacitor.

Electrical:

- Leakage current
- Capacitance
- ESR
- Tan Delta

Mechanical/Visual:

- Pull strength test of wire terminals
- Print detail
- Box labels
- Packaging, including packed quantity



KEMET Electronics Corporation Sales Offices

For a complete list of our global sales offices, please visit <https://www.yageogroup.com/SalesResources/SalesOffices>

Disclaimer

YAGEO Corporation and its affiliates do not recommend the use of commercial or automotive grade products for high reliability applications or manned space flight.

All product specifications, statements, information and data (collectively, the "Information") in this datasheet are subject to change. The customer is responsible for checking and verifying the extent to which the Information contained in this publication is applicable to an order at the time the order is placed. All Information given herein is believed to be accurate and reliable, but it is presented without guarantee, warranty, or responsibility of any kind, expressed or implied.

Statements of suitability for certain applications are based on KEMET Electronics Corporation's ("KEMET") knowledge of typical operating conditions for such applications, but are not intended to constitute – and KEMET specifically disclaims – any warranty concerning suitability for a specific customer application or use. The Information is intended for use only by customers who have the requisite experience and capability to determine the correct products for their application. Any technical advice inferred from this Information or otherwise provided by KEMET with reference to the use of KEMET's products is given gratis, and KEMET assumes no obligation or liability for the advice given or results obtained.

Although KEMET designs and manufactures its products to the most stringent quality and safety standards, given the current state of the art, isolated component failures may still occur. Accordingly, customer applications which require a high degree of reliability or safety should employ suitable designs or other safeguards (such as installation of protective circuitry or redundancies) in order to ensure that the failure of an electrical component does not result in a risk of personal injury or property damage.

Although all product-related warnings, cautions and notes must be observed, the customer should not assume that all safety measures are indicated or that other measures may not be required.

KEMET requires its products to be packaged and shipped on pallets. This is because KEMET's products are specifically designed to be packed onto pallets during shipment. If for any reason, the products are removed from pallets by the shipping party and shipped to the end customer, then additional external protection is required. In this instance, an external box with two carton layers and an upwards orientation sticker must be used by the shipping party, with the empty space filled with filling material, and afterwards sealing the box. If this packing and packaging guideline is not followed by the shipping party, the shipping party, and not KEMET, will be held responsible for any packaging, packing and/or product damages upon delivery of the products to the end customer. KEMET hereby disclaims any liability for damages to the products or otherwise that have been, or threaten to be, inflicted, result from or are in any way related to the packaging, packing or damage by the shipping party in contravention of the packing and packaging guidelines herein.

KEMET is a registered trademark of KEMET Electronics Corporation.