

# GPS/GLONASS+LTE Combination Antenna

Pulse Part Number SWM660

V03



## Features

- GPS-GLONASS-GALILEO - High gain LNA up to 30dB
- 4G LTE band – 698 MHz to 2690MHz Covers legacy worldwide 2G and 3G bands LTE/GSM/CDMA/PCS/DCS/UMTS/GPRS/EDGE/HSPA IP67
- Height 14.5mm Diameter 84.6mm
- RoHS Compliant

Contact: [mobiledeviceantenna.sales@pulseelectronics.com](mailto:mobiledeviceantenna.sales@pulseelectronics.com)

# GPS/GLONASS+LTE Combination Antenna

Pulse Part Number SWM660

GPS-GLONASS-GALILEO Specification

V03

Item		Specifications	
GPS/GLONASS Antenna	Dielectric	Center Frequency	1575.42-1602MHz
	Antenna	Polarization	RHCP
		Gain	2dBic (Zenith)
		V.S.W.R	<2.0
		Impedence	50Ω
		Axial Ratio	3dB (max)
	LNA	Gain	28±2dB
		Noise Figure	<1.5dB
		V.S.W.R	<2.0
		Supply Voltage	2.2~5V DC
		Current Consumption	<15mA

## LTE ANTENNA Specification

Item		Specifications	
LTE Antenna	Dielectric	Center Frequency	698~960MHz/1710~2690MHz
	Antenna	Polarization	Linear
		Gain	2.5dBi
		V.S.W.R	<3.0
		Impedence	50Ω

Contact: [mobiledeviceantenna.sales@pulseelectronics.com](mailto:mobiledeviceantenna.sales@pulseelectronics.com)

# GPS/GLONASS+LTE Combination Antenna

Pulse Part Number SWM660

V03

## MECHANICAL Specification

Item		Specifications
Mechanical	Cable	RG174
	Connector	SMA/FAKRA or others
	Material	ABS
	Mounting Method	Adhesive/Magnet

## LTE ANTENNA Specification

Item		Specifications
Environmental	Operating Temperature	-40°C~+85°C
	Relative Humidity	Up to 95%
	V. Ingress Protection	IP67
	Vibration	10 to 55Hz with 1.5mm amplitude 2hours
	Environmentally Friendly	ROHS Compliant

Contact: [mobiledeviceantenna.sales@pulseelectronics.com](mailto:mobiledeviceantenna.sales@pulseelectronics.com)

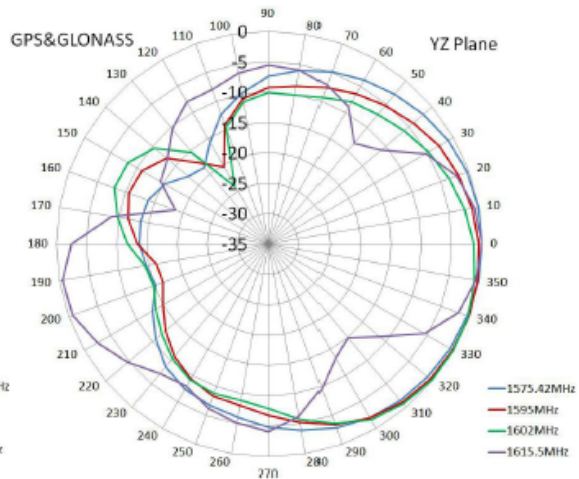
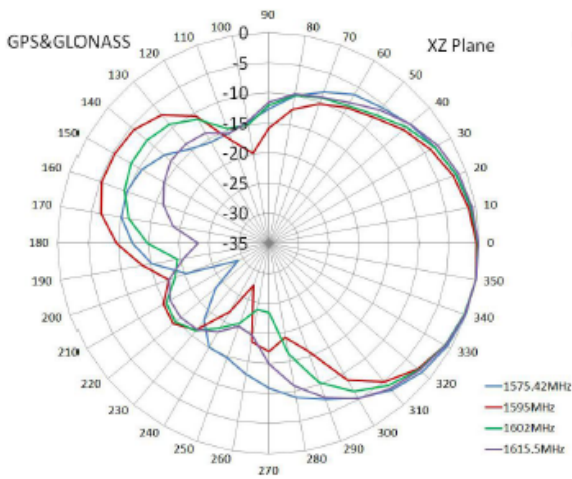
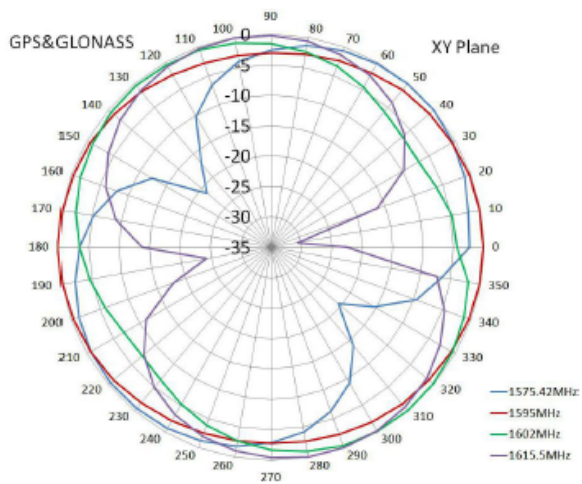
# GPS/GLONASS+LTE Combination Antenna

Pulse Part Number SWM660

V03

## Typical Free Space Radiation Patterns

### GPS/GLONASS Antenna



Contact: [mobiledeviceantenna.sales@pulseelectronics.com](mailto:mobiledeviceantenna.sales@pulseelectronics.com)

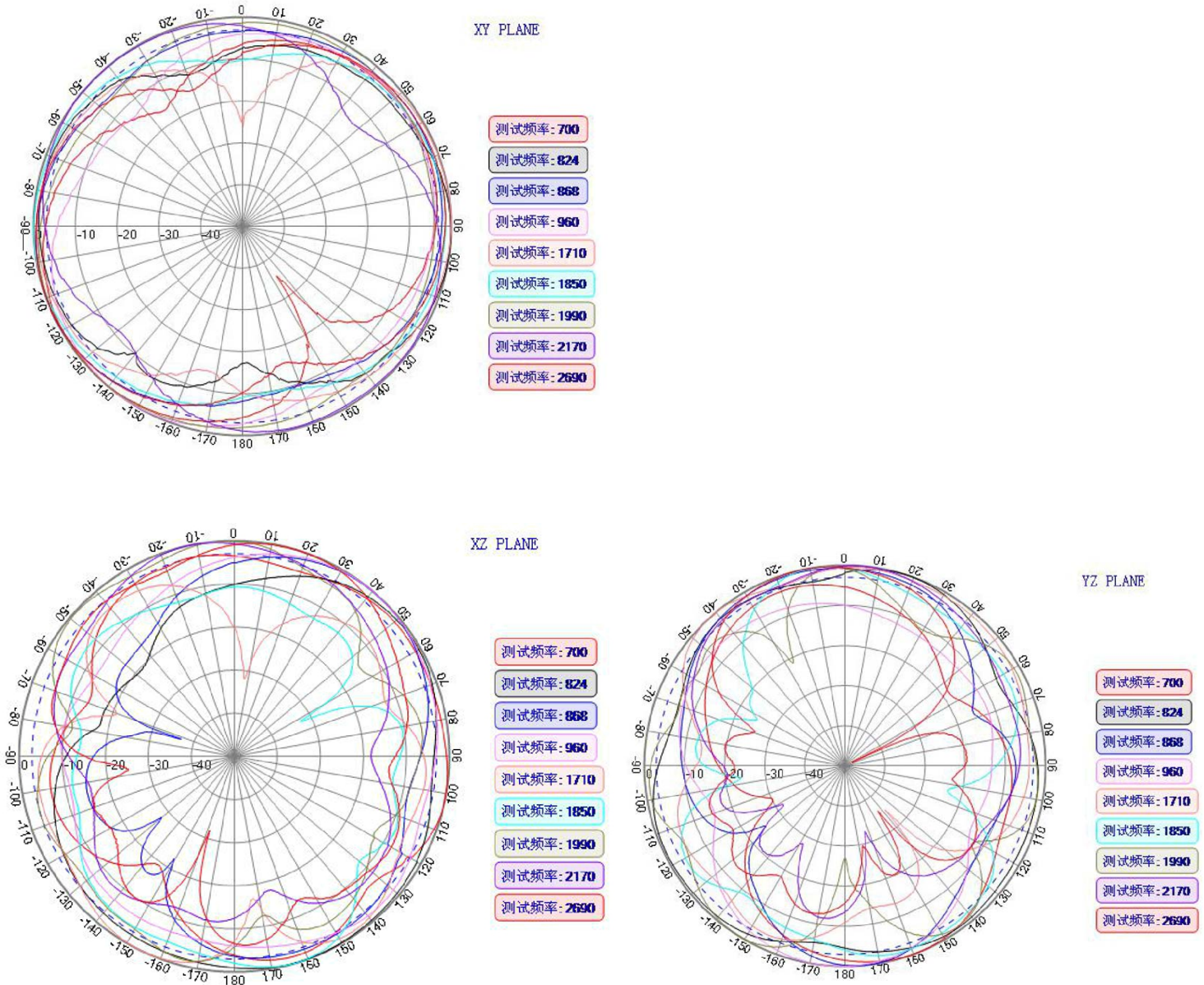
# GPS/GLONASS+LTE Combination Antenna

Pulse Part Number SWM660

V03

## Typical Free Space Radiation Patterns

### LTE Antenna



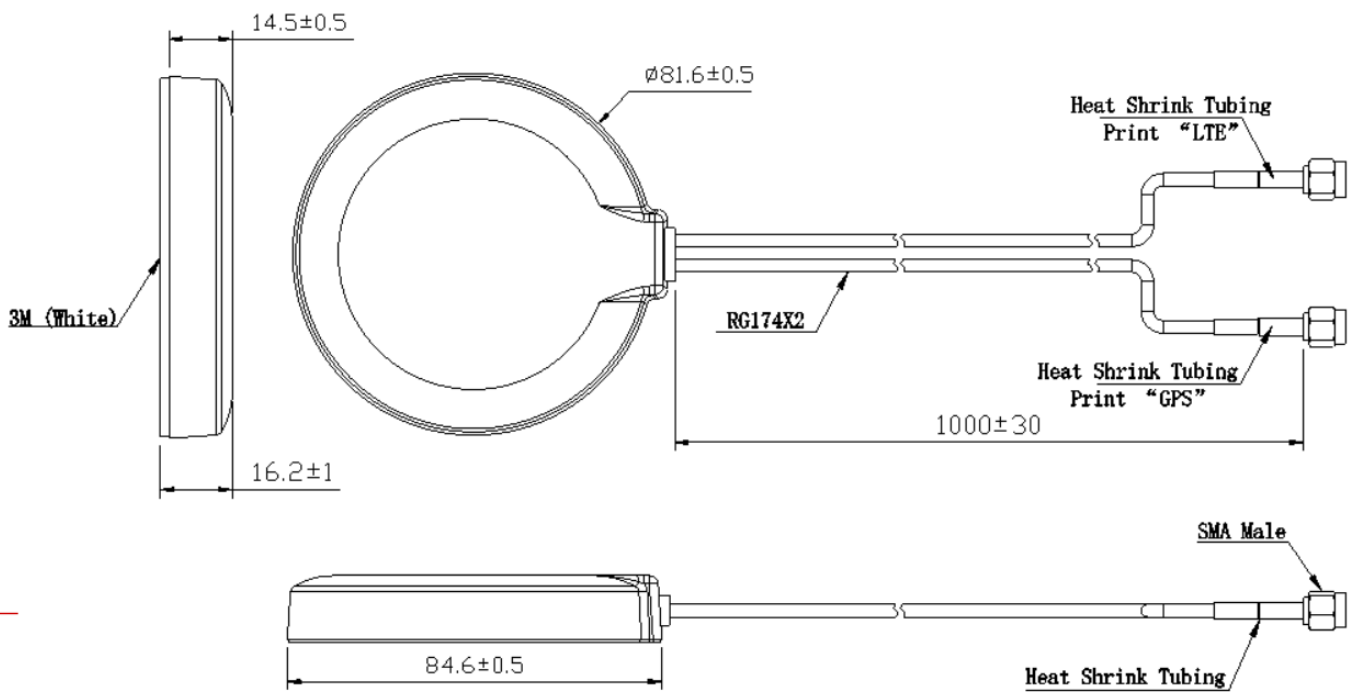
Contact: [mobiledeviceantenna.sales@pulseelectronics.com](mailto:mobiledeviceantenna.sales@pulseelectronics.com)

# GPS/GLONASS+LTE Combination Antenna

Pulse Part Number SWM660

V03

## Mechanical Drawing



Contact: [mobiledeviceantenna.sales@pulseelectronics.com](mailto:mobiledeviceantenna.sales@pulseelectronics.com)

# GPS/GLONASS+LTE Combination Antenna

Pulse Part Number SWM660

V03

## Packing

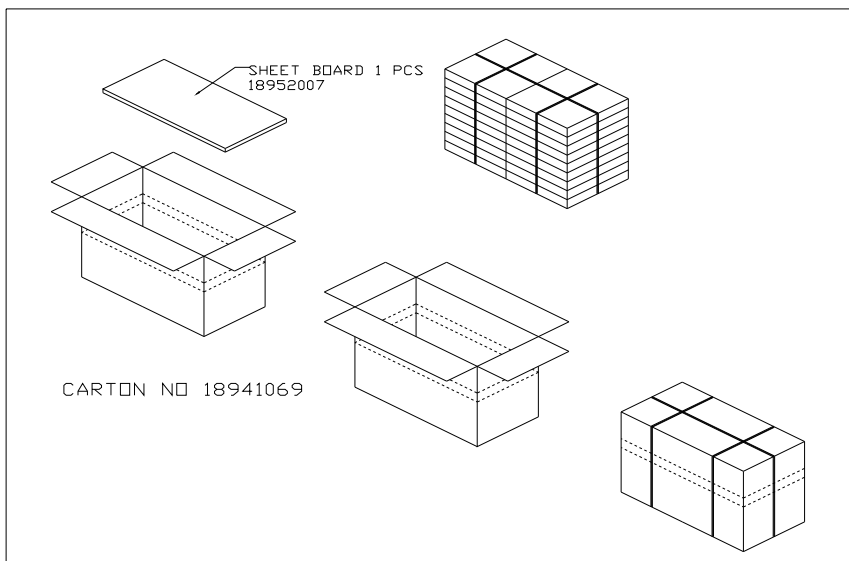
- Put 1pc product in the poly bag, then add the info label.
- Align the finished goods into the tray.
- Cardboard sheet under and on the top of the tray stack in the tray stack. Every second tray must be rotated 180 degrees, binding of the stack-1 strap lengthwise and 2 strap crosswise.
- Add foam paper between two trays.
- First put down 1pc sheet board in box, then put binding tray in box, empty 1 pc on the top of the box.
- Binding of the carton: scaled with tape, 1 strap length wise and 2 strap crosswise.



### Label content:

P/N:  
Project Name:  
Inductance:

- P/N, e.g. SWA1400
- Project Name, e.g. A6 Wireless Charge Coil
- Inductance, e.g. 12.5uH



Contact: [mobiledeviceantenna.sales@pulseelectronics.com](mailto:mobiledeviceantenna.sales@pulseelectronics.com)