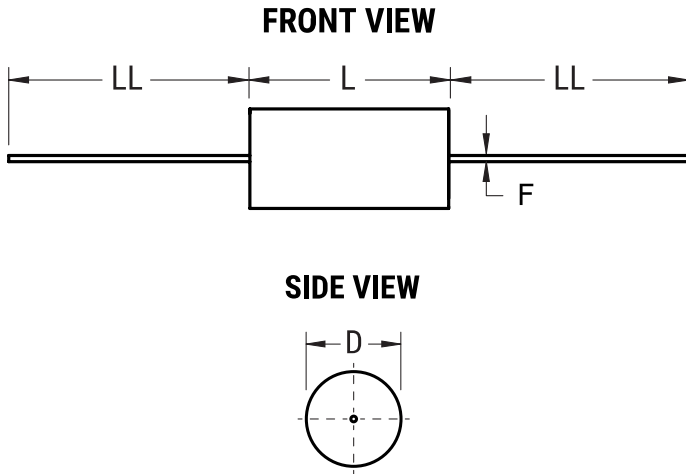


## A50CK51002600M

Aliases (50CK51002600M)

A50, Film, Metallized Polyester, Automotive Grade, 10 uF, 20%, 50 VDC, 30 VAC, 85°C



Click [here](#) for the 3D model.

### General Information

Series	A50
Dielectric	Metallized Polyester
Style	Axial
Features	Automotive Grade
RoHS	Yes
Lead	Wire Leads
Qualifications	AEC-Q200
Typical Component Weight	2.5 g
Miscellaneous	Above 85C DC And AC Voltage Derating Is 1.25%/C. maxKO = 200.

### Dimensions

D	12mm MAX
L	20.5mm MAX
LL	20mm MIN
F	0.8mm +/-0.05mm

### Packaging Specifications

Packaging	T&R
Packaging Quantity	400

### Specifications

Capacitance	10 uF
Tolerance	20%
Voltage DC	50 VDC, 37.5 VDC (105C)
Voltage AC	30 VAC
Temperature Range	-55/+105°C
Rated Temperature	85°C
Dissipation Factor	0.8% 1kHz, 1.2% 10kHz
Insulation Resistance	100 MOhms
Max dV/dt	2 V/us
Inductance	7 nH

Statements of suitability for certain applications are based on our knowledge of typical operating conditions for such applications, but are not intended to constitute - and we specifically disclaim - any warranty concerning suitability for a specific customer application or use. This Information is intended for use only by customers who have the requisite experience and capability to determine the correct products for their application. Any technical advice inferred from this Information or otherwise provided by us with reference to the use of our products is given gratis, and we assume no obligation or liability for the advice given or results obtained.