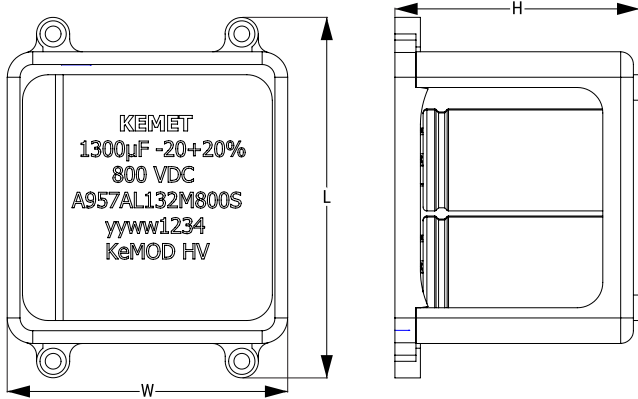


A957AL132M800S

A957, Aluminum, Aluminum Electrolytic, 1,300 uF, 20%, 800 VDC, -40/+85°C



General Information

Series	A957
Dielectric	Aluminum Electrolytic
Style	Module
Description	Aluminum Electrolytic Capacitor Module
RoHS	Yes
Halogen Free	Yes
Typical Component Weight	669.3 g
Shelf Life	156 Weeks

Dimensions

L	141.4mm +/-0.5mm
W	110mm +/-0.5mm
H	96.1mm +/-0.5mm

Packaging Specifications

Specifications

Capacitance	1,300 uF
Tolerance	20%
Voltage DC	800 VDC (85C)
Temperature Range	-40/+85°C
Rated Temperature	85°C
Life	18000 Hrs (Rated Voltage And Ripple Current At 85C), 29000 Hrs (Rated Voltage At 85C)
ESR	114.39 mOhms (100Hz 20C), 66.09 mOhms (100kHz 20C)
Ripple Current	27.2 Amps (10kHz 85C), 13.2 Amps (100Hz 85C)
Leakage Current	6240 uA (5min 20°C)

Statements of suitability for certain applications are based on our knowledge of typical operating conditions for such applications, but are not intended to constitute - and we specifically disclaim - any warranty concerning suitability for a specific customer application or use. This Information is intended for use only by customers who have the requisite experience and capability to determine the correct products for their application. Any technical advice inferred from this Information or otherwise provided by us with reference to the use of our products is given gratis, and we assume no obligation or liability for the advice given or results obtained.