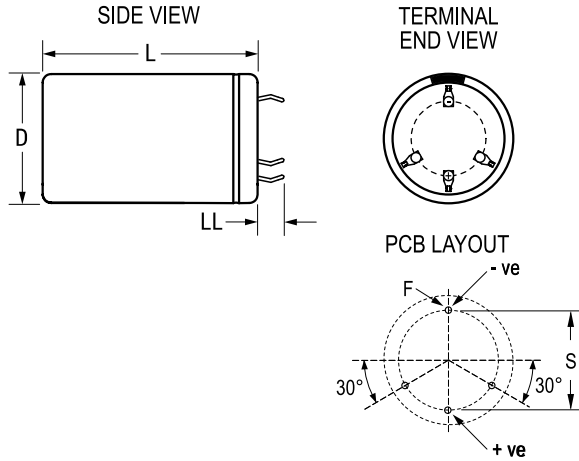


ALC10C152EP450

ALC10, Aluminum, Aluminum Electrolytic, 1,500 uF, 20%, 450 VDC, -40/+85°C, 22.5 mm



Click [here](#) for the 3D model.

General Information	
Series	ALC10
Dielectric	Aluminum Electrolytic
Description	Snap-In, Aluminum Electrolytic
RoHS	Yes
Lead	4 Pin
Typical Component Weight	170 g
Notes	Dimensions D And L Include Slewing.
Shelf Life	156 Weeks

Dimensions	
D	40mm +1mm
L	105mm +/-2mm
S	22.5mm +/-0.1mm
LL	6.3mm +/-1mm
F	2mm +/-0.1mm

Packaging Specifications	
Slewing	Yes
Packaging	Tray

Specifications	
Capacitance	1,500 uF
Tolerance	20%
Voltage DC	450 VDC, 495 VDC (Surge)
Temperature Range	-40/+85°C
Rated Temperature	85°C
Life	18000 Hrs (Rated Voltage And Ripple Current At 85C), 29000 Hrs (Rated Voltage At 85C)
ESR	96 mOhms (100Hz 20C), 62 mOhms (10kHz 20C)
Ripple Current	5.77 Amps (100Hz 85C), 10.5 Amps (10kHz 85C)
Leakage Current	4050 uA (5min 20°C)

Statements of suitability for certain applications are based on our knowledge of typical operating conditions for such applications, but are not intended to constitute - and we specifically disclaim - any warranty concerning suitability for a specific customer application or use. This Information is intended for use only by customers who have the requisite experience and capability to determine the correct products for their application. Any technical advice inferred from this Information or otherwise provided by us with reference to the use of our products is given gratis, and we assume no obligation or liability for the advice given or results obtained.