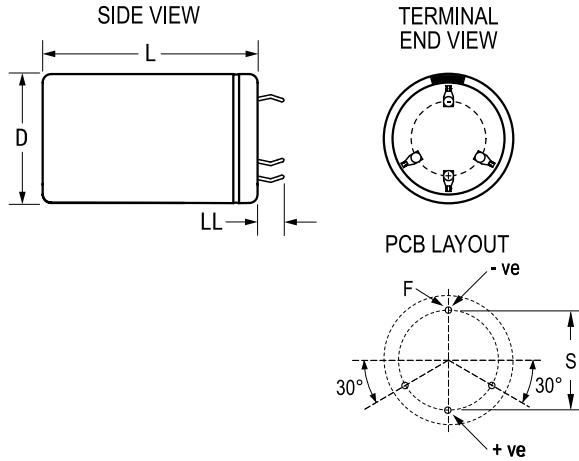


## ALC10C273EL063

ALC10, Aluminum, Aluminum Electrolytic, 27,000 uF, 20%, 63 VDC, -40/+85°C, 22.5 mm



Click [here](#) for the 3D model.

General Information	
Series	ALC10
Dielectric	Aluminum Electrolytic
Description	Snap-In, Aluminum Electrolytic
RoHS	Yes
Lead	4 Pin
Typical Component Weight	131 g
Notes	Dimensions D And L Include Slewing.
Shelf Life	156 Weeks

Dimensions	
D	40mm +1mm
L	80mm +/-2mm
S	22.5mm +/-0.1mm
LL	6.3mm +/-1mm
F	2mm +/-0.1mm

Packaging Specifications	
Slewing	Yes
Packaging	Tray

Specifications	
Capacitance	27,000 uF
Tolerance	20%
Voltage DC	63 VDC, 72.45 VDC (Surge)
Temperature Range	-40/+85°C
Rated Temperature	85°C
Life	18000 Hrs (Rated Voltage And Ripple Current At 85C), 29000 Hrs (Rated Voltage At 85C)
ESR	24 mOhms (100Hz 20C), 21 mOhms (10kHz 20C)
Ripple Current	10.53 Amps (100Hz 85C), 10.78 Amps (10kHz 85C)
Leakage Current	6000 uA (5min 20°C)

Statements of suitability for certain applications are based on our knowledge of typical operating conditions for such applications, but are not intended to constitute - and we specifically disclaim - any warranty concerning suitability for a specific customer application or use. This Information is intended for use only by customers who have the requisite experience and capability to determine the correct products for their application. Any technical advice inferred from this Information or otherwise provided by us with reference to the use of our products is given gratis, and we assume no obligation or liability for the advice given or results obtained.