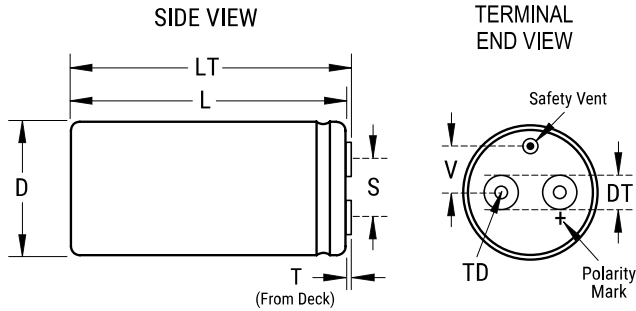


ALS70C363LM100

ALS70, Aluminum, Aluminum Electrolytic, 36,000 uF, 20%, 100 VDC, -40/+85°C, 28.5 mm



Click [here](#) for the 3D model.

General Information

Series	ALS70
Dielectric	Aluminum Electrolytic
Description	Screw Terminal, Aluminum Electrolytic
RoHS	Yes
Lead	Screw Terminals M6
Mounting	Through-Hole
Halogen Free	Yes
Typical Component Weight	600 g
Notes	Dimensions D And L Include Sleeving. MS (MxH) = M12x16. Mounting Clamp (Sold Separately): V8
Shelf Life	156 Weeks

Specifications

Capacitance	36,000 uF
Tolerance	20%
Voltage DC	100 VDC, 115 VDC (Surge)
Temperature Range	-40/+85°C
Rated Temperature	85°C
Life	19000 Hrs (Rated Voltage And Ripple Current At 85C), 38000 Hrs (Rated Voltage At 85C)
ESR	13 mOhms (100Hz 20C), 12 mOhms (10kHz 20C)
Ripple Current	25.3 Amps (100Hz 85C), 28.8 Amps (10kHz 85C)
Leakage Current	6000 uA

Dimensions	
D	63.5mm +/-1mm
L	131mm +/-2mm
T	5.5mm +/-0.5mm
S	28.5mm +/-0.5mm
DT	13mm +/-0.5mm
LT	Available On Request
TD	10mm MIN
V	15.8mm NOM
Packaging Specifications	
Sleeving	Yes
Packaging	Tray

Statements of suitability for certain applications are based on our knowledge of typical operating conditions for such applications, but are not intended to constitute - and we specifically disclaim - any warranty concerning suitability for a specific customer application or use. This Information is intended for use only by customers who have the requisite experience and capability to determine the correct products for their application. Any technical advice inferred from this Information or otherwise provided by us with reference to the use of our products is given gratis, and we assume no obligation or liability for the advice given or results obtained.