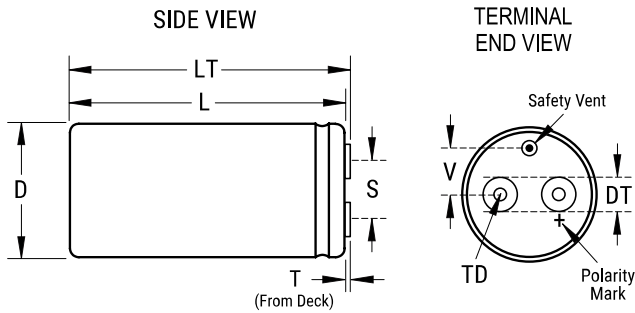


## ALS70H123LM200

ALS70, Aluminum, Aluminum Electrolytic, 12,000 uF, 20%, 200 VDC, -40/+85°C, 28.5 mm



Click [here](#) for the 3D model.

### General Information

Series	ALS70
Dielectric	Aluminum Electrolytic
Description	Screw Terminal, Aluminum Electrolytic
RoHS	Yes
Lead	Threaded Inserts - 10-32 UNF class 2B
Mounting	Through-Hole
Halogen Free	Yes
Typical Component Weight	600 g
Notes	Dimensions D And L Include Sleeving. MS (MxH) = M12x16. Mounting Clamp (Sold Separately): V8
Shelf Life	156 Weeks

### Dimensions

D	63.5mm +/-1mm
L	131mm +/-2mm
T	7.1mm +/-0.5mm
S	28.5mm +/-0.5mm
DT	8mm +/-0.5mm
LT	Available On Request
TD	10mm MIN
V	15.8mm NOM

### Packaging Specifications

Sleeving	Yes
Packaging	Tray

### Specifications

Capacitance	12,000 uF
Tolerance	20%
Voltage DC	200 VDC, 230 VDC (Surge)
Temperature Range	-40/+85°C
Rated Temperature	85°C
Life	19000 Hrs (Rated Voltage And Ripple Current At 85C), 38000 Hrs (Rated Voltage At 85C)
ESR	29 mOhms (100Hz 20C), 21 mOhms (10kHz 20C)
Ripple Current	17.3 Amps (100Hz 85C), 23.5 Amps (10kHz 85C)
Leakage Current	6000 uA

Statements of suitability for certain applications are based on our knowledge of typical operating conditions for such applications, but are not intended to constitute - and we specifically disclaim - any warranty concerning suitability for a specific customer application or use. This Information is intended for use only by customers who have the requisite experience and capability to determine the correct products for their application. Any technical advice inferred from this Information or otherwise provided by us with reference to the use of our products is given gratis, and we assume no obligation or liability for the advice given or results obtained.