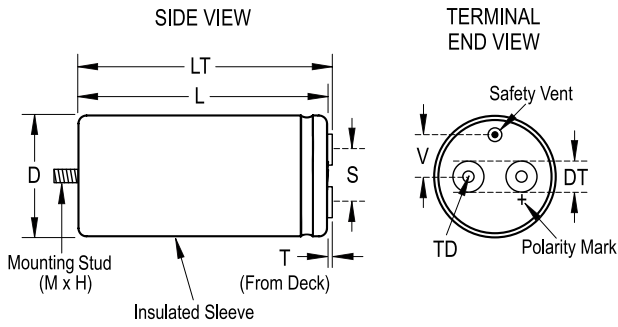


ALS71H242KE350

ALS71, Aluminum, Aluminum Electrolytic, 2,400 uF, 20%, 350 VDC, -40/+85°C, 22.2 mm



Click [here](#) for the 3D model.

General Information

Series	ALS71
Dielectric	Aluminum Electrolytic
Description	Screw Terminal, Aluminum Electrolytic
RoHS	Yes
Lead	Threaded Inserts - 10-32 UNF class 2B
Mounting	Through-Hole
Optional Mounting	Stud
Halogen Free	Yes
Typical Component Weight	220 g
Notes	Dimensions D And L Include Sleeving. MS (MxH) = M12x16. Mounting Clamp (Sold Separately): V4/2737
Shelf Life	156 Weeks

Dimensions

D	51mm +/-1mm
L	82mm +/-2mm
T	7.1mm +/-0.5mm
S	22.2mm +/-0.5mm
DT	8mm +/-0.5mm
LT	Available On Request
TD	10mm MIN
V	13.7mm NOM

Packaging Specifications

Sleeving	Yes
Packaging	Tray

Specifications

Capacitance	2,400 uF
Tolerance	20%
Voltage DC	350 VDC, 385 VDC (Surge)
Temperature Range	-40/+85°C
Rated Temperature	85°C
Life	18000 Hrs (Rated Voltage And Ripple Current At 85C), 36000 Hrs (Rated Voltage at 85C)
ESR	80 mOhms (100Hz 20C), 49 mOhms (10kHz 20C)
Ripple Current	8.1 Amps (100Hz 85C), 13.6 Amps (10kHz 85C)
Leakage Current	5040 uA

Statements of suitability for certain applications are based on our knowledge of typical operating conditions for such applications, but are not intended to constitute - and we specifically disclaim - any warranty concerning suitability for a specific customer application or use. This Information is intended for use only by customers who have the requisite experience and capability to determine the correct products for their application. Any technical advice inferred from this Information or otherwise provided by us with reference to the use of our products is given gratis, and we assume no obligation or liability for the advice given or results obtained.