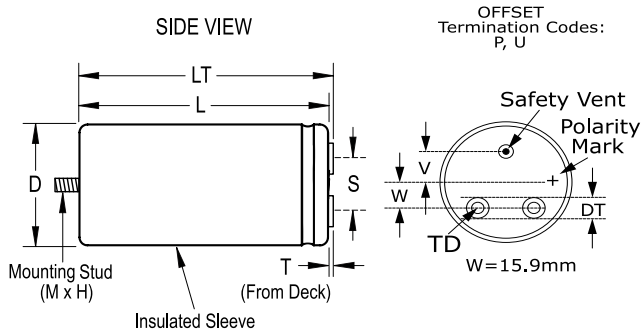


# ALS81P223NT250

ALS81, Aluminum, Aluminum Electrolytic, 22,000 uF, 20%, 250 VDC, -40/+105°C, 31.8 mm



Click [here](#) for the 3D model.

## General Information

|                          |                                                                                              |
|--------------------------|----------------------------------------------------------------------------------------------|
| Series                   | ALS81                                                                                        |
| Dielectric               | Aluminum Electrolytic                                                                        |
| Description              | Screw Terminal, Aluminum Electrolytic                                                        |
| RoHS                     | Yes                                                                                          |
| Lead                     | Screw Terminals M6                                                                           |
| Mounting                 | Through-Hole                                                                                 |
| Optional Mounting        | Stud                                                                                         |
| Halogen Free             | Yes                                                                                          |
| Typical Component Weight | 1,450 g                                                                                      |
| Notes                    | Dimensions D And L Include Slewing. MS (MxH) = M12x16. Mounting Clamp (Sold Separately): V11 |
| Shelf Life               | 156 Weeks                                                                                    |

## Dimensions

|    |                      |
|----|----------------------|
| D  | 77mm +/-1mm          |
| L  | 220mm +/-2mm         |
| T  | 7.1mm +/-0.5mm       |
| S  | 31.8mm +/-0.5mm      |
| DT | 17mm +/-0.5mm        |
| LT | Available On Request |
| TD | 11.8mm MIN           |
| V  | 19mm NOM             |

## Packaging Specifications

|           |      |
|-----------|------|
| Slewing   | Yes  |
| Packaging | Tray |

## Specifications

|                   |                                                                                        |
|-------------------|----------------------------------------------------------------------------------------|
| Capacitance       | 22,000 uF                                                                              |
| Tolerance         | 20%                                                                                    |
| Voltage DC        | 250 VDC, 287.5 VDC (Surge)                                                             |
| Temperature Range | -40/+105°C                                                                             |
| Rated Temperature | 105°C                                                                                  |
| Life              | 9000 Hrs (Rated Voltage And Ripple Current At 105C), 15000 Hrs (Rated Voltage At 105C) |
| ESR               | 15 mOhms (100Hz 20C), 12 mOhms (10kHz 20C)                                             |
| Ripple Current    | 21.1 Amps (100Hz 105C), 26.2 Amps (10 kHz 105C)                                        |
| Leakage Current   | 6000 uA                                                                                |

Statements of suitability for certain applications are based on our knowledge of typical operating conditions for such applications, but are not intended to constitute - and we specifically disclaim - any warranty concerning suitability for a specific customer application or use. This Information is intended for use only by customers who have the requisite experience and capability to determine the correct products for their application. Any technical advice inferred from this Information or otherwise provided by us with reference to the use of our products is given gratis, and we assume no obligation or liability for the advice given or results obtained.