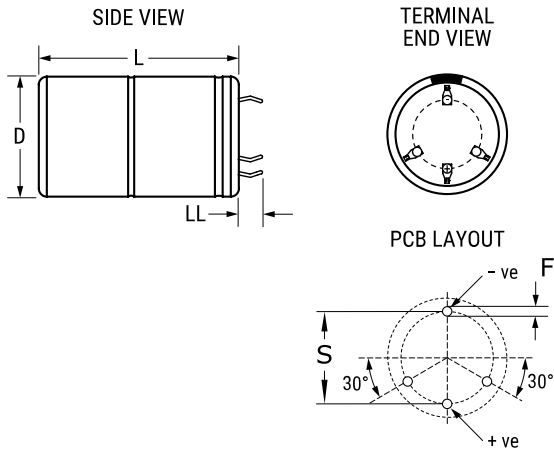


ALV70C201DH700

ALV70, Aluminum, Aluminum Electrolytic, 200 uF, 20%, 700 VDC, -25/+85°C, 22.5 mm



Click [here](#) for the 3D model.

General Information

| | |
|--------------------------|--------------------------------|
| Series | ALV70 |
| Dielectric | Aluminum Electrolytic |
| Description | Snap-In, Aluminum Electrolytic |
| RoHS | Yes |
| Lead | 4 Pin |
| Halogen Free | Yes |
| Typical Component Weight | 90 g |
| Shelf Life | 156 Weeks |

Dimensions

| | |
|----|-----------------|
| D | 35mm +1mm |
| L | 60mm +/-2mm |
| S | 22.5mm +/-0.1mm |
| LL | 6.3mm +/-1mm |
| F | 2mm +/-0.1mm |

Packaging Specifications

| | |
|-----------|------|
| Packaging | Tray |
|-----------|------|

Specifications

| | |
|-------------------|--|
| Capacitance | 200 uF |
| Tolerance | 20% |
| Voltage DC | 700 VDC |
| Temperature Range | -25/+85°C |
| Rated Temperature | 85°C |
| Life | 2000 Hrs |
| ESR | 2851 mOhms (100Hz 20C), 2657 mOhms (10kHz 20C) |
| Ripple Current | 1.38 Amps (100Hz 85C), 1.65 Amps (10kHz 85C) |
| Leakage Current | 840 uA (5min 20°C) |

Statements of suitability for certain applications are based on our knowledge of typical operating conditions for such applications, but are not intended to constitute - and we specifically disclaim - any warranty concerning suitability for a specific customer application or use. This Information is intended for use only by customers who have the requisite experience and capability to determine the correct products for their application. Any technical advice inferred from this Information or otherwise provided by us with reference to the use of our products is given gratis, and we assume no obligation or liability for the advice given or results obtained.