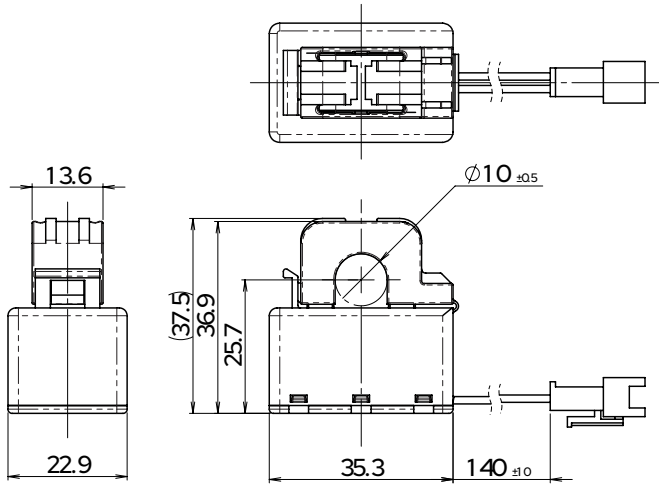


## C/CT-0810

Aliases (USEX0810000000)

KEMET, C/CT-0810, Current, Round - Snap-on, AC Current, High Performance, Compact, Slim, Flame Retardant



Click [here](#) for the 3D model.

### General Information

Series	C/CT-0810
Type	Current
Style	Round - Snap-on
Description	High Alternating Current Sensor
Features	High Performance, Compact, Slim, Flame Retardant
Lead	Cable Connector
RoHS	Yes
REACH	Yes

### Dimensions

D	10mm +/-0.5mm
L	35.3mm
H	37.5mm
T	22.9mm
LL	140mm +/-10mm

### Packaging Specifications

Packaging	Tray
Packaging Quantity	108
Typical Component Weight	46.5 g

### Specifications

Temperature Range	-10/+60°C
Voltage DC	270 mV (Output, +/- 8 mV), 7.5 V (Output Protection)
Insulation Resistance	100 MOhms (At 500 VDC, between core and terminal)
Current	80 Amps (50Hz/60Hz)
Miscellaneous	Current Transformation Ratio = 3,000. Insulation Resistance = 500 VDC To 100 MOhms. Storage Temperature = -20/+75C.

Statements of suitability for certain applications are based on our knowledge of typical operating conditions for such applications, but are not intended to constitute - and we specifically disclaim - any warranty concerning suitability for a specific customer application or use. This Information is intended for use only by customers who have the requisite experience and capability to determine the correct products for their application. Any technical advice inferred from this Information or otherwise provided by us with reference to the use of our products is given gratis, and we assume no obligation or liability for the advice given or results obtained.