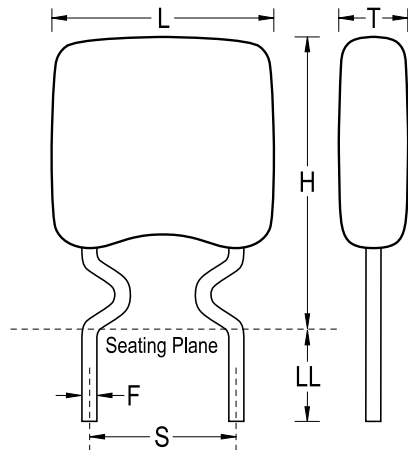


C658C474KDR5TA

GoldMax 600 Comm X7R HV, Ceramic, 0.47 uF, 10%, 1,000 VDC, X7R, GoldMax, Commercial Standard, 14.6 mm



Click [here](#) for the 3D model.

General Information

| | |
|--------------|------------------------------|
| Series | GoldMax 600 Comm X7R HV |
| Style | Radial |
| Description | GoldMax, Commercial Standard |
| RoHS | With Exemptions |
| REACH | SVHC (Pb - CAS 7439-92-1) |
| Termination | Tin |
| Lead | Crimped |
| Failure Rate | N/A |
| Halogen Free | Yes |

Dimensions

| | |
|----|-------------|
| L | 17.02mm MAX |
| H | 20.82mm MAX |
| T | 6.89mm MAX |
| S | 14.6mm NOM |
| LL | 7mm MIN |
| F | 0.64mm NOM |

Packaging Specifications

| | |
|--------------------|-----------|
| Packaging | Bulk, Bag |
| Packaging Quantity | 25 |

Specifications

| | |
|--|---|
| Capacitance | 0.47 uF |
| Measurement Condition | 1 kHz 1.0Vrms |
| Tolerance | 10% |
| Voltage DC | 1000 VDC |
| Dielectric Withstanding Voltage | 1,200 VDC |
| Temperature Range | -55/+125°C |
| Temp. Coefficient | X7R |
| Capacitance Change with Reference to +25°C and 0 VDC Applied (TCC) | 0.15, 1kHz 1.0Vrms |
| Dissipation Factor | 2.5% 1 kHz 1.0Vrms |
| Aging Rate | 3% Loss/Decade Hour: Referee Time is 1000 Hours |
| Insulation Resistance | 2.13 GOhms |

Statements of suitability for certain applications are based on our knowledge of typical operating conditions for such applications, but are not intended to constitute - and we specifically disclaim - any warranty concerning suitability for a specific customer application or use. This Information is intended for use only by customers who have the requisite experience and capability to determine the correct products for their application. Any technical advice inferred from this Information or otherwise provided by us with reference to the use of our products is given gratis, and we assume no obligation or liability for the advice given or results obtained.