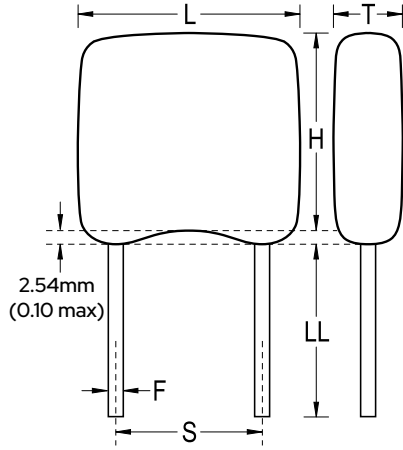


C667C105MCR5TA

GoldMax 600 Comm X7R HV, Ceramic, 1 uF, 20%, 500 VDC, X7R, GoldMax, Commercial Standard, 17.14 mm



Click [here](#) for the 3D model.

General Information

Series	GoldMax 600 Comm X7R HV
Style	Radial
Description	GoldMax, Commercial Standard
RoHS	With Exemptions
REACH	SVHC (Pb – CAS 7439-92-1)
Termination	Tin
Lead	Wire Leads
Failure Rate	N/A
Halogen Free	Yes

Dimensions

L	19.56mm MAX
H	18.29mm MAX
T	6.89mm MAX
S	17.14mm NOM
LL	7mm MIN
F	0.64mm NOM

Packaging Specifications

Packaging	Bulk, Bag
Packaging Quantity	25

Specifications

Capacitance	1 uF
Measurement Condition	1 kHz 1.0Vrms
Tolerance	20%
Voltage DC	500 VDC
Dielectric Withstanding Voltage	750 VDC
Temperature Range	-55/+125°C
Temp. Coefficient	X7R
Capacitance Change with Reference to +25°C and 0 VDC Applied (TCC)	0.15, 1kHz 1.0Vrms
Dissipation Factor	2.5% 1 kHz 1.0Vrms
Aging Rate	3% Loss/Decade Hour: Referee Time is 1000 Hours
Insulation Resistance	1 GOhms

Statements of suitability for certain applications are based on our knowledge of typical operating conditions for such applications, but are not intended to constitute - and we specifically disclaim - any warranty concerning suitability for a specific customer application or use. This Information is intended for use only by customers who have the requisite experience and capability to determine the correct products for their application. Any technical advice inferred from this Information or otherwise provided by us with reference to the use of our products is given gratis, and we assume no obligation or liability for the advice given or results obtained.