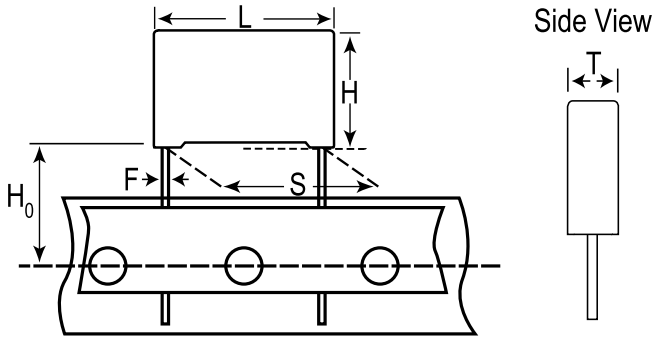


PHE844RD6470KR17T1

Aliases (F844DY474K440P, PHE844RD6470KD19R17T1)
PHE844/F844, Film, Metallized Polypropylene, Safety, 0.47 uF, 10%, 1,000 VDC, 440 VAC (X1) (ENEC), 480 VAC (UL, cUL), 105°C, 22.5 mm



Click [here](#) for the 3D model.

General Information

Series	PHE844/F844
Dielectric	Metallized Polypropylene
Style	Radial
Features	EMI Safety
RoHS	Yes
Termination	Tinned Wire
Lead	Wire Leads
Safety Class	X1
Qualifications	ENEC, UL, cUL
THB Performance	Yes
Typical Component Weight	10.34 g
Miscellaneous	ClimCat: 40/105/56/B.

Dimensions

L	26mm MAX
H	24.5mm MAX
T	15.5mm MAX
S	22.5mm +/-0.4mm
H0	18.5mm +/-0.5mm
F	0.8mm +/-0.05mm

Packaging Specifications

Packaging	T&R, Large
Packaging Quantity	250

Specifications

Capacitance	0.47 uF
Tolerance	10%
Voltage DC	1000 VDC
Voltage AC	440 VAC (X1) (ENEC), 480 VAC (UL, cUL)
Temperature Range	-40/+105°C
Rated Temperature	105°C
Dissipation Factor	0.1% 1kHz, 0.4% 10kHz
Insulation Resistance	21.2766 GOhms
Max dV/dt	100 V/us

Statements of suitability for certain applications are based on our knowledge of typical operating conditions for such applications, but are not intended to constitute - and we specifically disclaim - any warranty concerning suitability for a specific customer application or use. This Information is intended for use only by customers who have the requisite experience and capability to determine the correct products for their application. Any technical advice inferred from this Information or otherwise provided by us with reference to the use of our products is given gratis, and we assume no obligation or liability for the advice given or results obtained.