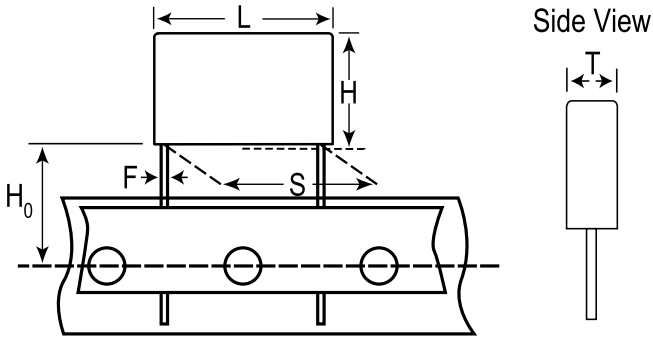


PME271Y510MR19T0

Aliases (P271QE103M250L)

PME271Y/P271, Film, Metallized Paper, Safety, 0.01 uF, 20%, 1,000 VDC, 250 VAC (Y2), 100°C, 15.2 mm



Click [here](#) for the 3D model.

General Information

| | |
|--------------------------|--------------------|
| Series | PME271Y/P271 |
| Dielectric | Metallized Paper |
| Style | Radial |
| Features | EMI Safety |
| RoHS | Yes |
| Termination | Tinned Wire |
| Lead | Wire Leads |
| Safety Class | Y2 |
| Qualifications | ENEC, UL, cUL, CQC |
| Construction | Molded |
| Typical Component Weight | 1.53 g |
| Miscellaneous | SRF= 16 MHz. |

Dimensions

| | |
|----|-----------------|
| L | 18.5mm MAX |
| H | 10.5mm MAX |
| T | 5.2mm MAX |
| S | 15.2mm +/-0.4mm |
| H0 | 18.5mm +/-0.5mm |
| F | 0.8mm +/-0.05mm |

Packaging Specifications

| | |
|--------------------|-----|
| Packaging | T&R |
| Packaging Quantity | 600 |

Specifications

| | |
|-----------------------|--------------|
| Capacitance | 0.01 uF |
| Tolerance | 20% |
| Voltage DC | 1000 VDC |
| Voltage AC | 250 VAC (Y2) |
| Temperature Range | -40/+100°C |
| Rated Temperature | 100°C |
| Dissipation Factor | 1.3% 1kHz |
| Insulation Resistance | 12 GOhms |
| Max dV/dt | 1,400 V/us |

Statements of suitability for certain applications are based on our knowledge of typical operating conditions for such applications, but are not intended to constitute - and we specifically disclaim - any warranty concerning suitability for a specific customer application or use. This Information is intended for use only by customers who have the requisite experience and capability to determine the correct products for their application. Any technical advice inferred from this Information or otherwise provided by us with reference to the use of our products is given gratis, and we assume no obligation or liability for the advice given or results obtained.