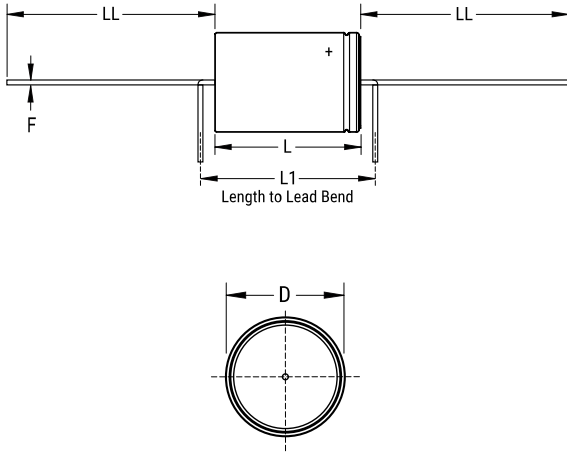


PEG124PF310VQE4

PEG124, Aluminum, Aluminum Electrolytic, 100 uF, -10/+30%, 100 VDC, -40/+105°C



Click [here](#) for the 3D model.

General Information

Series	PEG124
Dielectric	Aluminum Electrolytic
Style	Axial
Description	Long Life Axial Aluminum Electrolytic
RoHS	Yes
Lead	Wire Leads
Halogen Free	Yes
Typical Component Weight	7.2 g
Miscellaneous	Life Calculation Based On Maximum Ripple Current, Please Contact KEMET For More Information.
Notes	L1 is KEMET's recommendation for minimum distance between symmetrical Lead bend. Available only for Customer specific part numbers. Lead bend dimensions must be specified and confirmed per article. Dimensions D And L Include Slewing.
Shelf Life	156 Weeks

Dimensions

D	16mm +/-0.5mm
L	29mm +/-1mm
L1	35mm MIN
LL	42mm +3/-2mm
F	0.8mm +/-0.03mm

Packaging Specifications

Slewing	Yes
Packaging	Tray

Specifications

Capacitance	100 uF
Tolerance	-10/+30%
Voltage DC	100 VDC
Temperature Range	-40/+105°C
Rated Temperature	105°C
Life	15000 Hrs
ESR	700 mOhms (100Hz 20C), 260 mOhms (100kHz 20C)
Ripple Current	0.354 Amps (100Hz 105C), 3.2 Amps (5kHz 60C), 0.98 Amps (5kHz 105C)
Leakage Current	30 uA (5min 20°C)

Statements of suitability for certain applications are based on our knowledge of typical operating conditions for such applications, but are not intended to constitute - and we specifically disclaim - any warranty concerning suitability for a specific customer application or use. This Information is intended for use only by customers who have the requisite experience and capability to determine the correct products for their application. Any technical advice inferred from this Information or otherwise provided by us with reference to the use of our products is given gratis, and we assume no obligation or liability for the advice given or results obtained.