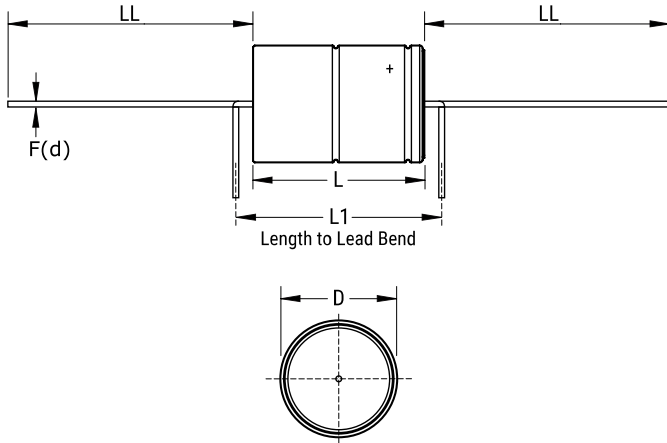


PEG225KL4390QE4

Aliases (PEG225KL4390Q)

PEG225, Aluminum, Aluminum Electrolytic, 3,900 uF, -10/+30%, 40 VDC, -40/+150°C



Note: '()' correspond to the letters used in the product bulletin

Click [here](#) for the 3D model.

General Information

Series	PEG225
Dielectric	Aluminum Electrolytic
Style	Axial
Description	Vibration Resistant Extremely High Ripple Axial Aluminum Electrolytic
RoHS	Yes
Lead	Wire Leads
Qualifications	AEC-Q200
Halogen Free	Yes
Typical Component Weight	24 g
Miscellaneous	Rated Voltage Measured At 125C.
Notes	L1 is KEMETs recommendation for minimum distance between symmetrical Lead bend. Available only for Customer specific part numbers. Lead bend dimensions must be specified and confirmed per article. Dimensions D And L Include Slewing.
Shelf Life	520 Weeks

Specifications

Capacitance	3,900 uF
Tolerance	-10/+30%
Voltage DC	40 VDC (125C), 32 VDC (150C)
Temperature Range	-40/+150°C
Rated Temperature	125°C
Life	8400 Hrs (Rated Voltage At 125C), 2000 Hrs (Rated Voltage At 150C)
ESR	28 mOhms (100Hz 20C), 14 mOhms (100kHz 20C), 6.8 mOhms (5-100kHz 150C)
Ripple Current	27.7 Amps (5kHz 125C, With Heat Sink), 17.5 Amps (5kHz 140C, With Heat Sink), 7.8 Amps (5kHz 150C, Heat Sink), 10 Amps (5kHz 125C), 12.7 Amps (>=5kHz 125C Reduced Voltage)
Leakage Current	472 uA (5min 20°C)

Dimensions	
D	20.2mm +/-0.5mm
L	42.7mm +/-1mm
L1	49mm MIN
LL	40mm +/-2mm
F	1mm +/-0.03mm

Packaging Specifications	
Slewing	Yes
Packaging	Tray

Statements of suitability for certain applications are based on our knowledge of typical operating conditions for such applications, but are not intended to constitute - and we specifically disclaim - any warranty concerning suitability for a specific customer application or use. This Information is intended for use only by customers who have the requisite experience and capability to determine the correct products for their application. Any technical advice inferred from this Information or otherwise provided by us with reference to the use of our products is given gratis, and we assume no obligation or liability for the advice given or results obtained.