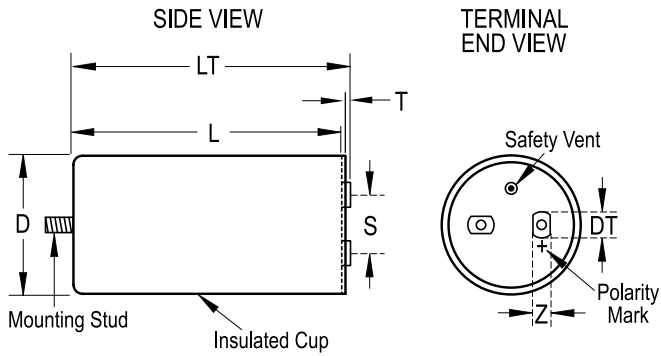


PEH169PH447VMB2

Aliases (A471MG472M100A)

PEH169, Aluminum, Aluminum Electrolytic, 4,700 uF, 20%, 100 VDC, -40/+85°C, 22 mm



Click [here](#) for the 3D model.

General Information

Series	PEH169
Dielectric	Aluminum Electrolytic
Description	Screw Terminal, Aluminum Electrolytic
RoHS	Yes
Lead	Oval Threaded Inserts M5
Mounting	Through-Hole
Optional Mounting	Stud
Halogen Free	Yes
Typical Component Weight	180 g
Notes	Dimensions D And L Include Slewing. M5. MS = M12x16.
Shelf Life	156 Weeks

Dimensions

D	51.6mm +/-1mm
L	74.5mm +/-1mm
T	4.9mm NOM
S	22mm +/-0.5mm
F	15mm +/-0.5mm
DT	15mm NOM
G	13mm NOM
LT	82.4mm +/-1mm
Z	13mm NOM

Packaging Specifications

Slewing	Yes
Packaging	Bulk, Bag
Packaging Quantity	20

Specifications

Capacitance	4,700 uF
Tolerance	20%
Voltage DC	100 VDC
Temperature Range	-40/+85°C
Rated Temperature	85°C
Life	17000 Hrs (Rated Voltage And Ripple Current At 85C)
ESR	31 mOhms (100Hz 20C), 22 mOhms (100kHz 20C)
Ripple Current	10.5 Amps (100Hz 85C), 34.4 Amps (10kHz 50C), 24.3 Amps (10kHz 40C)
Leakage Current	5410 uA (5min 20°C)
Inductance	16 nH (ESL)

Statements of suitability for certain applications are based on our knowledge of typical operating conditions for such applications, but are not intended to constitute - and we specifically disclaim - any warranty concerning suitability for a specific customer application or use. This Information is intended for use only by customers who have the requisite experience and capability to determine the correct products for their application. Any technical advice inferred from this Information or otherwise provided by us with reference to the use of our products is given gratis, and we assume no obligation or liability for the advice given or results obtained.