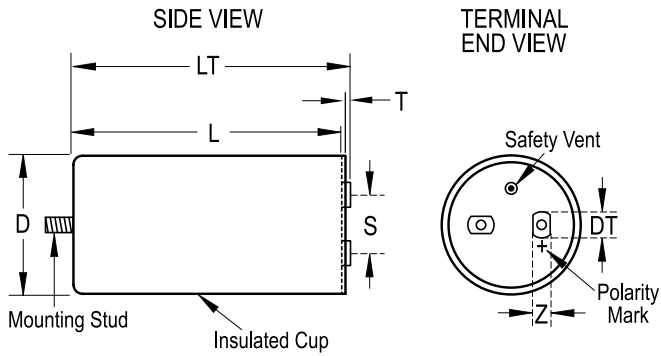


PEH169VV433VMB2

Aliases (A471ST332M400A)

PEH169, Aluminum, Aluminum Electrolytic, 3,300 uF, 20%, 400 VDC, -40/+85°C, 32 mm



Click [here](#) for the 3D model.

General Information

Series	PEH169
Dielectric	Aluminum Electrolytic
Description	Screw Terminal, Aluminum Electrolytic
RoHS	Yes
Lead	Oval Threaded Inserts M5
Mounting	Through-Hole
Optional Mounting	Stud
Halogen Free	Yes
Typical Component Weight	800 g
Notes	Dimensions D And L Include Slewing. M5. MS = M12x16.
Shelf Life	156 Weeks

Dimensions

D	76.6mm +/-1mm
L	146mm +/-1mm
T	3.8mm NOM
S	32mm +/-0.5mm
F	15mm +/-0.5mm
DT	15mm NOM
G	13mm NOM
LT	153mm +/-1mm
Z	13mm NOM

Packaging Specifications

Slewing	Yes
Packaging	Bulk, Bag
Packaging Quantity	9

Specifications

Capacitance	3,300 uF
Tolerance	20%
Voltage DC	400 VDC
Temperature Range	-40/+85°C
Rated Temperature	85°C
Life	28000 Hrs (Rated Voltage And Ripple Current At 85C)
ESR	27 mOhms (100Hz 20C), 15 mOhms (100kHz 20C)
Ripple Current	13.3 Amps (100Hz 85C), 46 Amps (10kHz 50C), 37.3 Amps (10kHz 40C)
Leakage Current	7960 uA (5min 20°C)
Inductance	17 nH (ESL)

Statements of suitability for certain applications are based on our knowledge of typical operating conditions for such applications, but are not intended to constitute - and we specifically disclaim - any warranty concerning suitability for a specific customer application or use. This Information is intended for use only by customers who have the requisite experience and capability to determine the correct products for their application. Any technical advice inferred from this Information or otherwise provided by us with reference to the use of our products is given gratis, and we assume no obligation or liability for the advice given or results obtained.