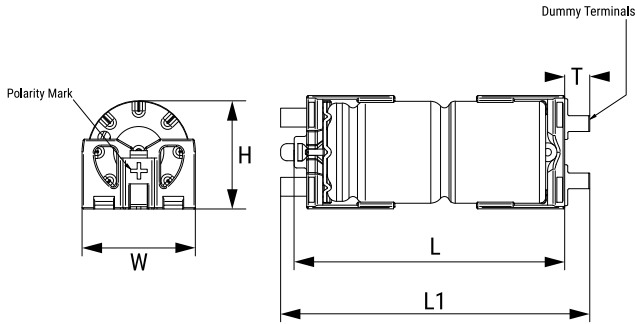


PES228NKP3560QE4

PES228, Aluminum, Aluminum Electrolytic, 560 uF, -10/+30%, 80 VDC, -40/+150°C



Click [here](#) for the 3D model.

General Information

Series	PES228
Dielectric	Aluminum Electrolytic
Style	Horizontal SMD
Description	Radial Surface Mount Aluminum Electrolytic
RoHS	Yes
Lead	Radial SMD
Qualifications	AEC-Q200
Halogen Free	Yes
Typical Component Weight	15 g
Shelf Life	520 Weeks

Dimensions

L	43mm +/-1mm
L1	49.2mm +/-1mm
W	18mm +/-0.5mm
H	17.2mm +/-0.5mm
T	4mm +/-0.3mm

Packaging Specifications

Packaging	Tray
-----------	------

Specifications

Capacitance	560 uF
Tolerance	-10/+30%
Voltage DC	80 VDC
Temperature Range	-40/+150°C
Rated Temperature	150°C
Life	8400 Hrs (Rated Voltage At 125C), 2000 Hrs (Rated Voltage At 150C)
ESR	122.6 mOhms (100Hz 20C), 44.3 mOhms (100kHz 20C), 18.5 mOhms (5-100kHz 150C)
Ripple Current	13.9 Amps Maximum with heat-sink (5kHz 125C)
Leakage Current	109.84 uA (5min 20°C)

Statements of suitability for certain applications are based on our knowledge of typical operating conditions for such applications, but are not intended to constitute - and we specifically disclaim - any warranty concerning suitability for a specific customer application or use. This Information is intended for use only by customers who have the requisite experience and capability to determine the correct products for their application. Any technical advice inferred from this Information or otherwise provided by us with reference to the use of our products is given gratis, and we assume no obligation or liability for the advice given or results obtained.