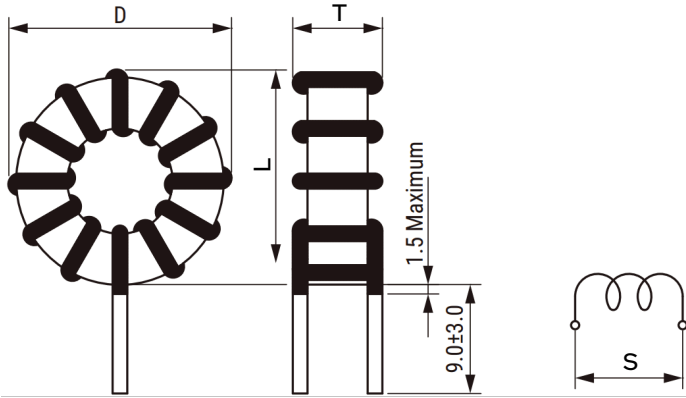


PHBC12-1R0A0080V

Aliases (UALP121R0A0080)

Differential Mode Chokes - Power, KEMET, PHBC, Through-Hole, Normal Mode, 80 uH, 20%



Click [here](#) for the 3D model.

General Information

Series	PHBC
Style	Through-Hole
Features	Switching Power Supply Outlet, DC-DC Converter, Phase Compensation, Noise Solution
RoHS	Yes
Miscellaneous	40 (K) Temperature Rise Max.
Core	Fe-Ni

Dimensions

D	26.4mm MAX
L	26.4mm MAX
T	13.3mm MAX
LL	9mm +/-3mm
S	9.5mm NOM
Wire Size	1mm

Packaging Specifications

Packaging	Tray
Packaging Quantity	240
Typical Component Weight	18 g

Specifications

Inductance	80 uH
Inductance Tolerance	20%
Rated Current	5 A
Temperature Range	-40/+125°C
DC Resistance	35.6 mOhms

Statements of suitability for certain applications are based on our knowledge of typical operating conditions for such applications, but are not intended to constitute - and we specifically disclaim - any warranty concerning suitability for a specific customer application or use. This Information is intended for use only by customers who have the requisite experience and capability to determine the correct products for their application. Any technical advice inferred from this Information or otherwise provided by us with reference to the use of our products is given gratis, and we assume no obligation or liability for the advice given or results obtained.