

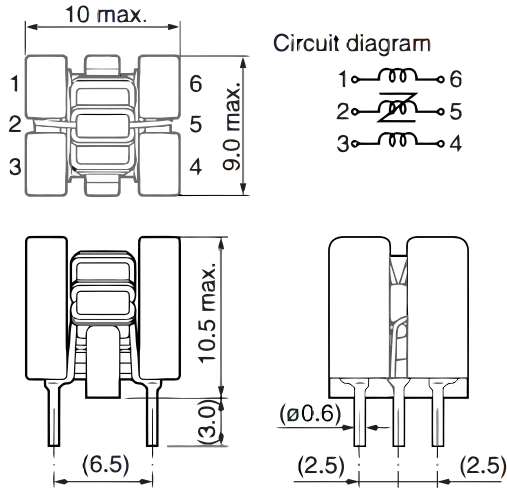
## SH-S132

Aliases (UDLSH00S132000)

Not for New Design

EOL: 11-30-2026 / Last time buy date: 05-29-2026

Common Mode Chokes - Signal, KEMET, SH, Through-Hole, Common Mode, 1,700 nH



Click [here](#) for the 3D model.

### General Information

Series	SH
Style	Through-Hole
RoHS	Yes
Miscellaneous	For 3 Lines.

### Dimensions

L	9mm MAX
W	10mm MAX
H	10.5mm MAX
LL	3mm +/-0.7mm
S	6.5mm MAX
S1	2.5mm NOM
F	0.6mm NOM

### Packaging Specifications

Typical Component Weight	1g
--------------------------	----

### Specifications

Voltage DC	50 VDC
Inductance	1.7 uH
Temperature Range	-25/+80°C
DC Resistance	81 mOhms (per Line MAX)

Statements of suitability for certain applications are based on our knowledge of typical operating conditions for such applications, but are not intended to constitute - and we specifically disclaim - any warranty concerning suitability for a specific customer application or use. This Information is intended for use only by customers who have the requisite experience and capability to determine the correct products for their application. Any technical advice inferred from this Information or otherwise provided by us with reference to the use of our products is given gratis, and we assume no obligation or liability for the advice given or results obtained.