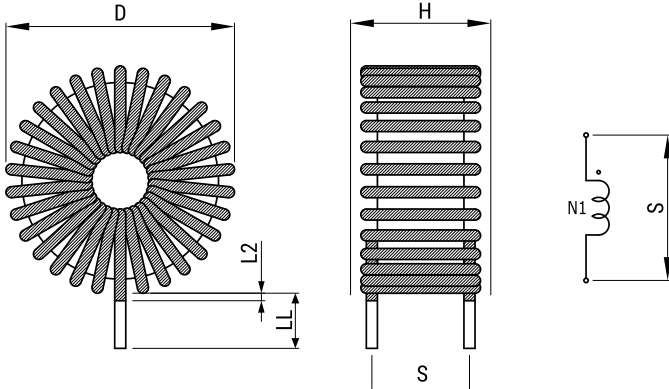


SN12-400

Aliases (UALSN124000000)
Differential Mode Chokes - Power, KEMET, SN, Through-Hole, Normal Mode, 64 uH, MIN



Click [here](#) for the 3D model.

General Information

Series	SN
Style	Through-Hole
Features	Compact Size
RoHS	Yes
Miscellaneous	32 (K) Temperature Rise Max.
Core	Fe

Dimensions	
D	25mm MAX
H	12mm MAX
LL	20mm +/-2mm
S	11mm
L2	1.5mm MAX
Wire Size	1mm

Specifications	
Inductance	64 uH
Inductance Tolerance	MIN
Rated Current	5 A
Temperature Range	-40/+105°C
DC Resistance	32 mOhms

Packaging Specifications	
Packaging	Tray
Packaging Quantity	350
Typical Component Weight	15.8 g

Statements of suitability for certain applications are based on our knowledge of typical operating conditions for such applications, but are not intended to constitute - and we specifically disclaim - any warranty concerning suitability for a specific customer application or use. This Information is intended for use only by customers who have the requisite experience and capability to determine the correct products for their application. Any technical advice inferred from this Information or otherwise provided by us with reference to the use of our products is given gratis, and we assume no obligation or liability for the advice given or results obtained.