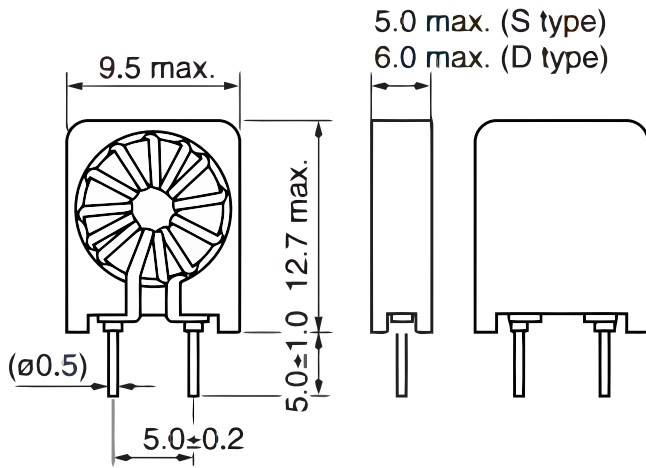


## SNT-S20T

Aliases (UDLSNT0S20T000)

Differential Mode Chokes - Signal, KEMET, SNT, Through-Hole, Common Mode, 6,000 nH



Click [here](#) for the 3D model.

### General Information

|        |              |
|--------|--------------|
| Series | SNT          |
| Style  | Through-Hole |
| RoHS   | Yes          |

### Dimensions

|    |              |
|----|--------------|
| L  | 9.5mm MAX    |
| W  | 5mm MAX      |
| T  | 5mm MAX      |
| H  | 12.7mm MAX   |
| LL | 5mm +/-1mm   |
| S  | 5mm +/-0.2mm |

### Packaging Specifications

|                          |        |
|--------------------------|--------|
| Packaging                | T&R    |
| Packaging Quantity       | 1000   |
| Typical Component Weight | 950 mg |

### Specifications

|                   |                |
|-------------------|----------------|
| Inductance        | 6 uH           |
| Temperature Range | -20/+60°C      |
| DC Resistance     | 35 mOhms (MAX) |

Statements of suitability for certain applications are based on our knowledge of typical operating conditions for such applications, but are not intended to constitute - and we specifically disclaim - any warranty concerning suitability for a specific customer application or use. This Information is intended for use only by customers who have the requisite experience and capability to determine the correct products for their application. Any technical advice inferred from this Information or otherwise provided by us with reference to the use of our products is given gratis, and we assume no obligation or liability for the advice given or results obtained.