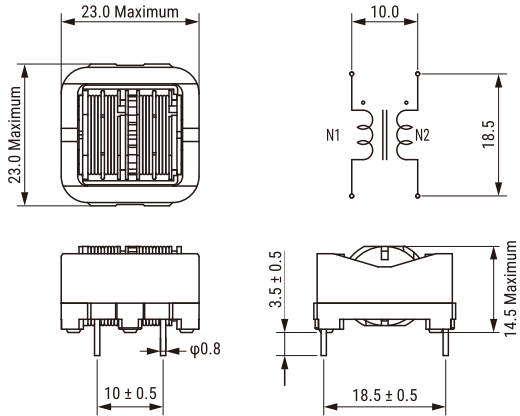


SSR21NHS-15082

Aliases (UALN21HS150820)

Not for New Design

Recommended Replacement: SSR21NHS-M15164 or SSR21NHS-M20103
Common Mode Chokes - Power, KEMET, SSR21NVS/NHS, Through-Hole Bobbin, Common Mode, 8,200 uH



Click [here](#) for the 3D model.

General Information

| | |
|---------------|---|
| Series | SSR21NVS/NHS |
| Style | Through-Hole Bobbin |
| Features | High Performance, High Frequency, Broad Bandwidth |
| RoHS | Yes |
| Notes | EOL: Jun 30th 2026 Alternative PN SSR21NHS-M15164 |
| Miscellaneous | 45 (K) Temperature Rise Max. |
| Core | Mn-Zn Ferrite |

Dimensions

| | |
|-----------|-----------------|
| L | 23mm MAX |
| T | 23mm MAX |
| H | 14.5mm MAX |
| LL | 3.5mm +/-0.5mm |
| S | 10mm +/-0.5mm |
| S1 | 18.5mm +/-0.5mm |
| Wire Size | 0.45mm |
| F | 0.8mm NOM |

Packaging Specifications

| | |
|--------------------------|------|
| Packaging | Tray |
| Packaging Quantity | 420 |
| Typical Component Weight | 13 g |

Specifications

| | |
|-------------------|------------|
| Voltage AC | 250 VAC |
| Inductance | 8.2 mH |
| Rated Current | 1.5 A |
| Temperature Range | -40/+120°C |
| DC Resistance | 0.13 Ohms |

Statements of suitability for certain applications are based on our knowledge of typical operating conditions for such applications, but are not intended to constitute - and we specifically disclaim - any warranty concerning suitability for a specific customer application or use. This Information is intended for use only by customers who have the requisite experience and capability to determine the correct products for their application. Any technical advice inferred from this Information or otherwise provided by us with reference to the use of our products is given gratis, and we assume no obligation or liability for the advice given or results obtained.