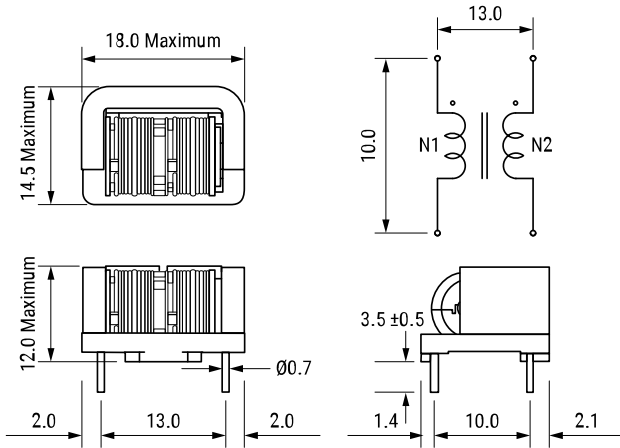


## SSRH7H-M13064

Aliases (UALSH7M1306400)  
Common Mode Chokes - Power, KEMET, SSRH7H-M, Through-Hole Bobbin, Common Mode, 6,400 uH



Click [here](#) for the 3D model.

### General Information

Series	SSRH7H-M
Style	Through-Hole Bobbin
RoHS	Yes
Notes	M13 Lot No.
Miscellaneous	Temperature Rise Maximum: 55 K.
Core	Mn-Zn Ferrite

### Dimensions

L	18mm MAX
T	14.5mm MAX
H	12mm MAX
LL	3.5mm +/-0.5mm
S	13mm NOM
S1	10mm NOM
Wire Size	0.7mm
F	0.7mm NOM

### Packaging Specifications

Packaging	Tray
Packaging Quantity	600
Typical Component Weight	5.2 g

### Specifications

Voltage AC	250 VAC
Inductance	6.4 mH
Rated Current	1.3 A
Temperature Range	-40/+120°C
DC Resistance	0.21 Ohms (Per Line)

Statements of suitability for certain applications are based on our knowledge of typical operating conditions for such applications, but are not intended to constitute - and we specifically disclaim - any warranty concerning suitability for a specific customer application or use. This Information is intended for use only by customers who have the requisite experience and capability to determine the correct products for their application. Any technical advice inferred from this Information or otherwise provided by us with reference to the use of our products is given gratis, and we assume no obligation or liability for the advice given or results obtained.