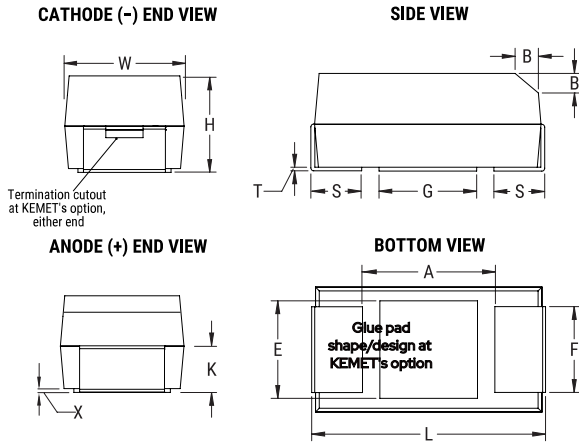


T495D226M020AH4095

Aliases (DLA Drawing 95158-13MH)

T495 HRA, Tantalum, MnO2 Tantalum, HRA, 22 uF, 20%, 20 VDC, SMD, MnO2, Molded, Low ESR, High Reliability, N/A, 275 mOhms, 3.1mm, 2817 / 7343



Click [here](#) for the 3D model.

General Information

| | |
|--------------------------|--|
| Series | T495 HRA |
| Dielectric | MnO2 Tantalum |
| Style | SMD Chip |
| Description | SMD, MnO2, Molded, Low ESR, High Reliability |
| Features | Low ESR, High Reliability |
| RoHS | No |
| Prop 65 | WARNING: Cancer and reproductive harm - https://www.p65warnings.ca.gov/ |
| SCIP Number | 1dd2e1b8-26dd-4d52-927c-6f9d519011aa |
| Termination | Tin Lead (SnPb) |
| Typical Component Weight | 446.84 mg |
| MSL | 1 |

Dimensions

| | |
|---|--------------------|
| L | 7.3mm +/-0.3mm |
| W | 4.3mm +/-0.3mm |
| H | 2.8mm +/-0.3mm |
| T | 0.13mm REF |
| S | 1.3mm +/-0.3mm |
| F | 2.4mm +/-0.1mm |
| A | 3.8mm MIN |
| B | 0.5mm +/-0.15mm |
| E | 3.5mm REF |
| G | 3.5mm REF |
| K | 1.5mm +/-0.2mm |
| P | 0.9mm REF |
| R | 1mm REF |
| X | 0.1mm +/-0.1mm REF |

Packaging Specifications

| | |
|--------------------|------------|
| Packaging | T&R, 178mm |
| Packaging Quantity | 500 |

Specifications

| | |
|-------------------------|---|
| Capacitance | 22 uF |
| Tolerance | 20% |
| Voltage DC | 20 VDC (85C), 13.4 VDC (125C) |
| Temperature Range | -55/+125°C |
| Rated Temperature | 85°C |
| Dissipation Factor | 4% 120Hz 25C |
| Failure Rate | N/A |
| ESR | 275 mOhms (100kHz 25C) |
| Ripple Current | 739 mA (rms, 100kHz 25C), 665 mA (rms, 100kHz 85C), 296 mA (rms, 100kHz 125C) |
| Leakage Current | 3.5 uA (5min 25°C) |
| Testing and Reliability | Tested To Meet The Established Reliability |

Statements of suitability for certain applications are based on our knowledge of typical operating conditions for such applications, but are not intended to constitute - and we specifically disclaim - any warranty concerning suitability for a specific customer application or use. This Information is intended for use only by customers who have the requisite experience and capability to determine the correct products for their application. Any technical advice inferred from this Information or otherwise provided by us with reference to the use of our products is given gratis, and we assume no obligation or liability for the advice given or results obtained.